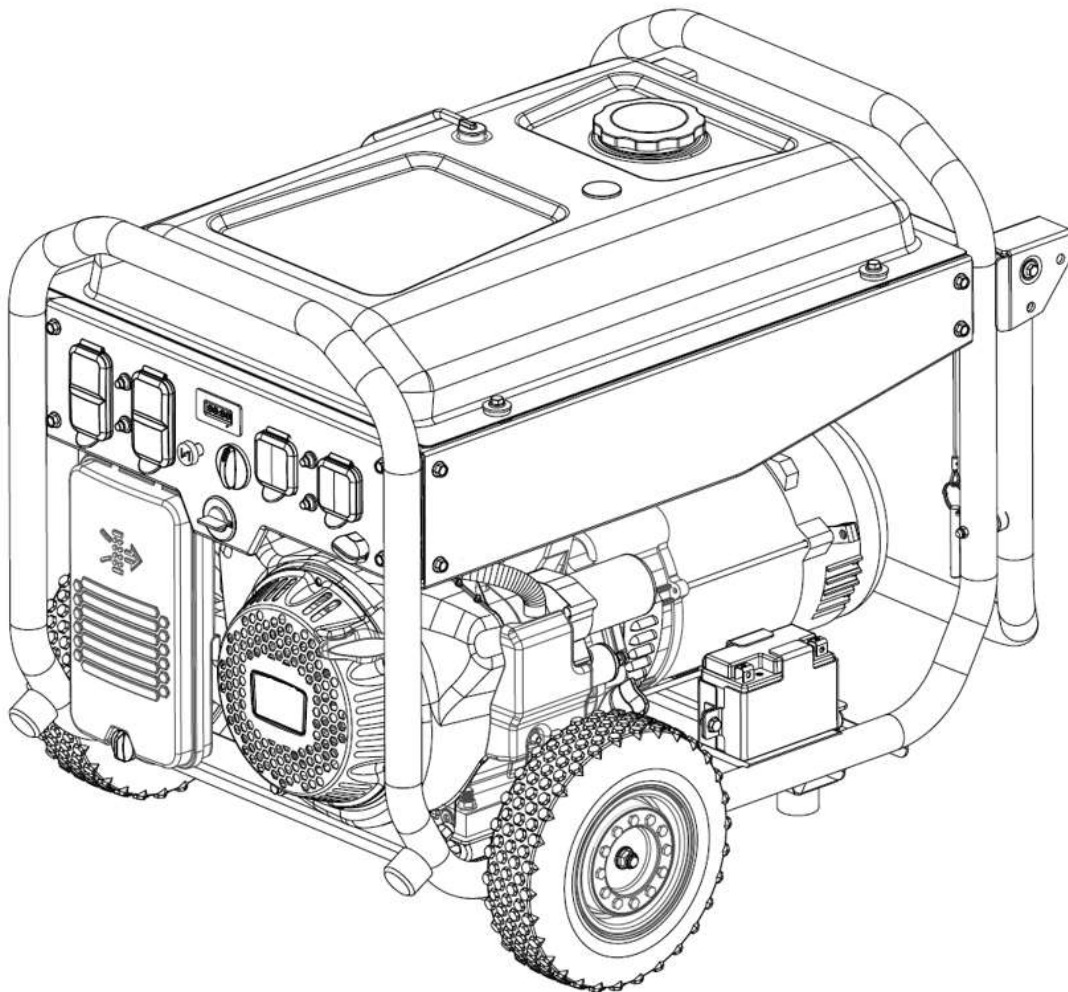



Owner's Manual

RP3600, RP5500, RP6500, RP6500 E, RP7500 E and RP8000 E Portable Generators



Important Safety Information

Most accidents that involve product operation, maintenance and repair are caused by failure to observe basic safety rules or precautions. An accident can often be avoided by recognizing potentially hazardous situations before an accident occurs. A person must be alert to potential hazards, including human factors that can affect safety. This person should also have the necessary training, skills, and tools to perform these functions properly.

Safety precautions and warnings are provided in this manual and on the product. If these hazard warnings are not heeded, bodily injury or death could occur to you or to other persons. The hazards are identified by the "Safety Alert Symbol"  and followed by a "Signal Word" such as "DANGER", "WARNING" or "CAUTION".

Caterpillar cannot anticipate every possible circumstance that might involve a potential hazard. The warnings in this publication and on the product are, therefore, not all inclusive. You must not use this product in any manner different from that considered by this manual without first satisfying yourself that you have considered all safety rules and precautions applicable to the operation of the product in the location of use, including site-specific rules and precautions applicable to the worksite. If a tool, procedure, work method or operating technique that is not specifically recommended by Caterpillar is used, you must satisfy yourself that it is safe for you and for others. You should also ensure that you are authorized to perform this work, and that the product will not be damaged or become unsafe by the operation, lubrication, maintenance, or repair procedures that you intend to use.

The information, specifications, and illustrations in this publication are on the basis of information that was available at the time that the publication was written. The specifications, torques, pressures, measurements, adjustments, illustrations, and other items can change at any time. These changes can affect the service that is given to the product. Obtain the complete and most current information before you start any job.

In the United States, the maintenance, replacement, or repair of the emission control devices and systems may be performed by any repair establishment or individual of the owner's choosing.

This manual contains safety, operation, and maintenance information. This manual should be stored near the product. Read, study and keep it with the literature and product information.

Consumer Arbitration Clause

The Limited Warranty included in this User Guide contains important legal terms including, but not limited to, a Consumer Arbitration Clause calling for mandatory individual arbitration and waiving the ability to bring a case as a class action. Please review this carefully.

California Proposition 65 Warning


 WARNING
This product and its related accessories can expose you to chemicals including benzene which is known to the State of California to cause cancer and birth defects or other reproductive harm. For more information go to www.P65Warnings.ca.gov . To reduce the risk of these health hazards, avoid inhaling oil and gasoline fumes and engine exhaust. Wash hands after use.

Table of Contents

Consumer Arbitration Clause	2
California Proposition 65 Warning	2
SAFETY MESSAGES	5
Additional Messages	6
Battery (if equipped)	6
Special Requirements	7
ASSEMBLY	8
Feet Assembly	8
Wheel Assembly	8
Battery Connection (If equipped)	8
Oil	8
Carriage brackets	8
COMPONENT IDENTIFICATION	9
RP3600, RP5500, and RP6500	9
RP6500 E, RP7500 E, and RP8000 E	9
Engine Type & Serial Number	10
CONTROLS	11
Display	11
Generator Switch	11
Choke	11
CO DEFENSE™ & Shut Off System (If equipped)	11
Fuel Switch	12
Recoil Starter	12
AC Circuit Breaker	12
CSA Circuit Breaker (If equipped)	12
Low Oil Level Shutdown	12
120 VAC, 20 Amp, Duplex	12
RV Receptacle	13
120 VAC, 120/240 VAC 30 Amp, Locking	13
GENERATOR OPERATION	13
Optimal Generator Operating Conditions	13
Connection to Household Power Supply	13
Generator Grounding	13
AC Usage	14
High Altitude Kits	14
BEFORE STARTING ENGINE	14
Engine Oil	14
Fuel	14
Walk-Around Inspection	14
STARTING THE ENGINE	15

Recoil Start.....	15
Electric Start (If equipped).....	15
STOPPING THE ENGINE.....	15
MAINTENANCE	15
Air Filter – Check.....	15
Cylinder Head - Clean.....	16
Engine Oil Level – Check.....	16
Engine Oil – Change.....	16
Engine Valve Lash – Inspect/Adjust	17
Fuel Line – Replace	17
Fuel Tank Cap and Strainer – Clean	17
Generator - Inspect	17
Spark Arrestor - Inspect/Clean/Replace.....	17
Spark Plug – Inspect/Adjust/Replace	17
Battery (if equipped)– Inspect/Replace	18
Walk-Around Inspection	18
STORAGE.....	19
Storage for 1 to 3 months.....	19
Storage for more than 3 months	19
TROUBLESHOOTING	20
SPECIFICATIONS	21
COMBINED EXHAUST AND EVAPORATIVE EMISSIONS CONTROLS WARRANTY STATEMENT	22
Your Warranty Rights and Obligations.....	22
Manufacturer’s Warranty Coverage	22
Owner’s Warranty Responsibilities	22
Defects Warranty Requirements:.....	22
WARRANTY.....	24
CONSUMER ARBITRATION CLAUSE: MANDATORY BINDING INDIVIDUAL ARBITRATION INSTEAD OF COURT; CLASS ACTION WAIVER	24

SAFETY MESSAGES

There may be several specific safety messages on your generator. Please become familiar with all safety messages.

Ensure that all safety messages are legible. Clean the safety messages or replace the safety messages if the words cannot be read or if the illustrations are not visible. Use a cloth, water, and soap to clean the safety messages. Do not use solvents, gasoline, or other harsh chemicals. Solvents, gasoline, or harsh chemicals could loosen the adhesive that secures the safety messages.

Replace any safety message that is damaged or missing. If a safety message is attached to a part of the generator that is replaced, install a new safety message on the replacement part.



Read the Manual



Do not operate or work on this generator unless you have read and understand the instructions and warnings in the Owner's Manual. Failure to follow the instructions or heed the warnings could result in injury or death. Proper care is your responsibility.

Hot Surface / Do Not Touch / Flammable Material



Hot parts or hot components can cause burns or personal injury. Do not allow hot parts or components to contact your skin. Use protective clothing or protective equipment to protect your skin. Hot exhaust presents a potential fire hazard. Be sure that nothing flammable is within 1.5 meters of the exhaust.



Carbon Monoxide

⚠ DANGER

Using a generator indoors CAN KILL YOU IN MINUTES.
Generator exhaust contains carbon monoxide. This is a poison you cannot see or smell.

NEVER use inside a home or garage, **EVEN IF** doors and windows are open.

Only use **OUTSIDE** and far away from windows, doors, and vents.

⚠ DANGER

Utiliser un générateur à l'intérieur **PEUT VOUS TUER EN QUELQUES MINUTES.** Les gaz d'échappement du générateur contiennent du monoxyde de carbone. C'est un gaz toxique invisible et inodore.

- **NE JAMAIS** utiliser à l'intérieur d'une maison ou d'un garage, **MÊME SI** les portes et les fenêtres sont ouvertes.
- Utiliser **UNIQUEMENT** à l'EXTÉRIEUR et loin des fenêtres, portes et ventilations.

⚠ PELIGRO

Si usa un generador en interiores, **MORIRA EN POCOS MINUTOS.** El escape del generador contiene monóxido de carbono. Es un veneno que no tiene olor ni se puede ver.

- **NUNCA** lo use dentro de una casa o garaje. **AUN** si las puertas y ventanas están abiertas.
- Sólo úselo en **EXTERIORES** y lejos de ventanas, puertas y ductos de ventilación.

CO DEFENSE	⚠ WARNING	⚠ AVERTISSEMENT	⚠ ADVERTENCIA
<p>• CARBON MONOXIDE SHUTOFF SYSTEM (IN USE)</p> <p>• SYSTÈME D'ARRÊT POUR DÉTECTION DE MONOXYDE DE CARBONE EN SERVICE</p> <p>• SISTEMA DE CORTA DE MONOXYDO DE CARBONO EN USO</p> <p>DO NOT OPERATE GENERATOR UNLESS YOU HAVE READ AND UNDERSTAND THE INSTRUCTIONS AND WARNINGS IN THE OWNER'S MANUAL. FAILURE TO FOLLOW THE INSTRUCTIONS OR HEED THE WARNINGS COULD RESULT IN INJURY OR DEATH. PROPER CARE IS YOUR RESPONSIBILITY.</p> <p>NE PAS FAIRE FONCTIONNER LE GÉNÉRATEUR À MOINS QUE VOUS N'AYEZ LUE ET COMPRIS LES INSTRUCTIONS ET LES AVERTISSEMENTS DU MANUEL DE L'UTILISATEUR. LE NON-RESPECT DE CES INSTRUCTIONS PEUT CAUSER DES BLESSURES OU LA MORT. LE SOIN APPROPRIÉ EST DE VÔTRE RESPONSABILITÉ.</p>	<p>• FLAMMING SUR INDICATOR - ALL FORMAL SAFETY PREVENT. YOU MUST LEAVE AREA IMMEDIATELY AND CONTACT AN APPROPRIATE AGENCY. VENTILATE THE GENERATOR TO LOCATED IN AN OPEN AIR AREA.</p> <p>• MOVE TO FRESH AIR AND GET MEDICAL HELP IF SICK, DIZZY OR WEAK.</p> <p>• NEVER TOUCH GENERATOR OR SYSTEM PARTS CONTACT DRALED.</p> <p>• TAMPERING WITH CO DEFENSE COULD RESULT IN A HAZARDOUS CONDITION</p>	<p>• NE PAS FAIRE FONCTIONNER LE GÉNÉRATEUR À MOINS QUE VOUS N'AYEZ LUE ET COMPRIS LES INSTRUCTIONS ET LES AVERTISSEMENTS DU MANUEL DE L'UTILISATEUR. LE NON-RESPECT DE CES INSTRUCTIONS PEUT CAUSER DES BLESSURES OU LA MORT. LE SOIN APPROPRIÉ EST DE VÔTRE RESPONSABILITÉ.</p> <p>• NE PAS TOUCHER LE GÉNÉRATEUR NI LES PARTIES DU SYSTÈME EN CONTACT AVEC LE POPULAIRE.</p> <p>• L'INTERFÉRENCE AVEC LE CO DEFENSE PEUT CONTRIBUER À DES CONDITIONS DANGEREUSES.</p>	<p>• EL ENCENDEDOR DE LAS PAREDES - EVITAR DE ROTARLAS AUTOMÁTICAMENTE. SI SE ENTRA EN CONTACTO CON EL MOTOR, DETENERSE Y CONTACTAR A UN AGENCIA ADECUADA. VENTILAR EL GENERADOR EN UN AREA ABIERTA.</p> <p>• TOMAR AIR FRESCO Y BUSCAR AYUDA MEDICA EN CASO DE SINTOMAS COMO MAREOS O DEBILIDAD.</p> <p>• NO TOCAR LAS PARTES EN CONTACTO CON EL SISTEMA. CONSERVAR LAS DISTANCIAS.</p> <p>• INTERFERIR CON EL CO DEFENSE PUEDE CAUSAR CONDICIONES PELIGROSAS.</p>

Operating a generator indoors can kill you in minutes. Generator exhaust contains carbon monoxide. Carbon monoxide is a poison that you cannot see or smell. Never operate a generator inside a home or garage, even if doors and windows are open. Only operate a generator outdoors and away from windows, doors, and vents. Always direct engine exhaust away from occupied structures. If anyone experiences dizziness, headaches, nausea, or tiredness get to fresh air immediately and seek medical attention. Ventilate the area thoroughly before occupying again.

The carbon monoxide shutoff system is not a substitute for safe generator operation. Do Not adjust or modify the carbon monoxide shutoff system. Failure to follow instructions can cause the system to malfunction which can result in hazardous conditions.



Electrocution

DANGER

Shock/Electrocution Hazard: Do not operate this equipment or work on this equipment unless you have read and understand the instructions and warnings in the Owner's Manual. Failure to follow the instructions or heed the warnings will result in serious injury or death.

WARNING

Operation of this equipment may create sparks that can start fires around dry vegetation. A spark arrester may be required. The operator should contact local fire agencies for laws or regulations relating to fire prevention requirements.

WARNING

Electrical backfeed into a utility's distribution system can cause property damage, severe injury, or death.

Electrical backfeed warning. Do not connect generator to a building's electrical system unless using an isolation (transfer) switch installed by a certified, licensed electrician. CA H&S Code 119075 & 119080.

Battery (if equipped)

CAUTION

1. Do not expose battery to temperatures above 60 C (140 F).
2. Do not reverse the positive (+) or negative (-) terminals or short-circuit the battery in any way.
3. Do not allow charge voltages in excess of 40 volts.
4. If the battery becomes hot to the touch, stop charging. Allow battery to cool before charging.
5. Do not open, disassemble or modify the battery in any way.
6. Do not connect the battery to other batteries in any way.
7. Do not over-discharge the battery. It may damage the battery or shorten the battery life.
8. A flammable hazard may exist if the battery is physically damaged.
9. Failure to follow these instructions may present risk of explosions, fire or high temperatures.

Additional Messages

	Do not operate in wet conditions.
	Do not refuel near open flames. Do not refuel while the engine is running. Do not smoke while refueling.
	Maintain a minimum distance of 5 feet (1.5 meters) from other objects.
	Ensure that the unit is properly grounded.

Special Requirements

Electrical equipment, including lines and plug connections shall be covered and protected from moisture.

The circuit breakers shall match the generator specifications. If the circuit breakers require replacement, they must be replaced with a circuit breaker of the same rating and performance characteristics. In any generator set installation, the frame of the generator must be connected to an earth ground. A ground terminal is provided.

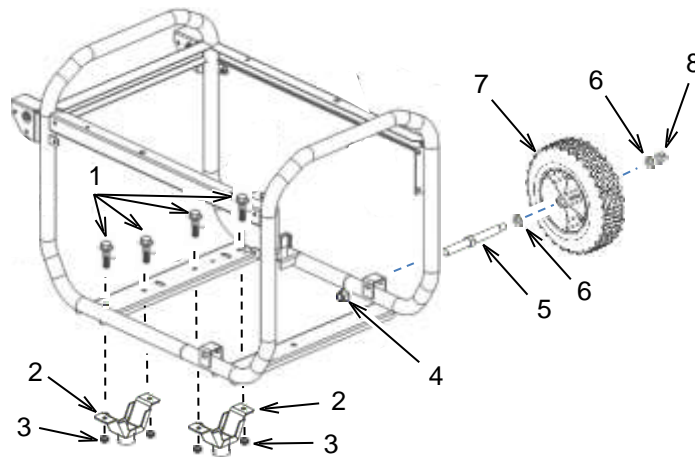
RP5500, RP6500, RP6500 E, RP7500 E, and RP8000 E all have a permanent neutral conductor between the stator winding and the frame. RP3600 has a floating neutral.

For 120VAC duplex receptacles, use extension cords rated for 125V at 20A or greater, and 30A or greater for locking receptacles. For 240VAC use extension cords rated for 250V at 30A or greater. Use the shortest extension cord that meets these requirements.



- Wear a hard hat, protective glasses, and other protective equipment, as required.
- When work is performed around an engine that is operating, wear protective devices for ears in order to help prevent damage to hearing.
- Do not wear loose clothing or jewelry that can snag on controls or on other parts of the engine.
- Ensure that all protective guards and all covers are secured in place on the engine.
- Never put maintenance fluids into glass containers. Glass containers can break.
- Use all cleaning solutions with care.

ASSEMBLY



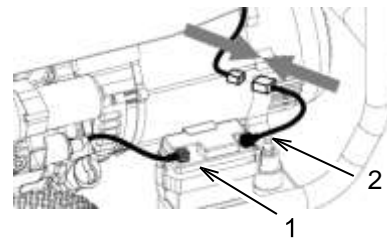
Feet Assembly

1. Set the frame of the unit on blocks to provide sufficient clearance to install the feet and wheels.
2. Align the mounting holes of the foot bracket (2) with the mounting holes in the frame.
3. Insert one 8 mm bolt (1) through each set of mounting holes.
4. Install and hand tighten one 8 mm nut (3) on each bolt.
5. Repeat steps 2 – 4 for the other foot.
6. Tighten all four nuts securely.

Wheel Assembly

1. Insert short end of axle (5) into the mounting bracket on the frame.
2. Install one 10 mm nut (4) on the axle and tighten securely to frame.
3. Place one large washer (6) on the long end of the axle and install wheel (7) with the bolt design facing out.
4. Install one large washer (6) onto the axle.
5. Install one 10 mm locking nut (8) onto the axle and tighten securely.
6. Repeat steps 1 – 5 for the other wheel.
7. Remove the blocking.

Battery Connection (If equipped)



RP6500 E, RP7500 E, and RP8000 E come with the battery mounted in the battery holder. To connect the battery:

1. The unit ships with the positive battery cable (1) already connected.
2. Attach the cable with the black cap (2) to the other cable with the connector.

Oil

Follow the Engine Oil Level-Check procedure to add the proper amount of oil for the unit as described in the Specifications chart.

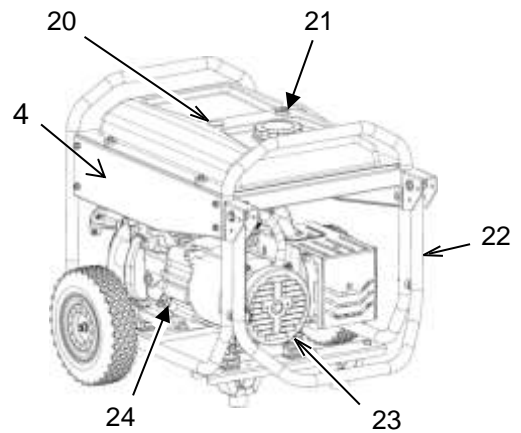
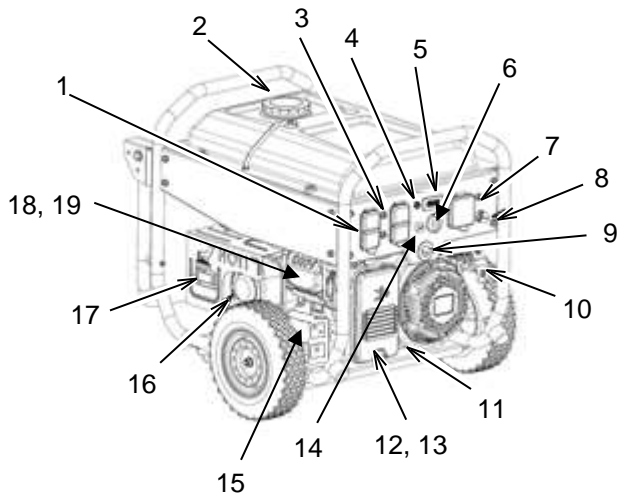
Carriage brackets

The generator has 2 red carriage brackets fitted underneath the base to prevent damage caused by rough handling during transit.

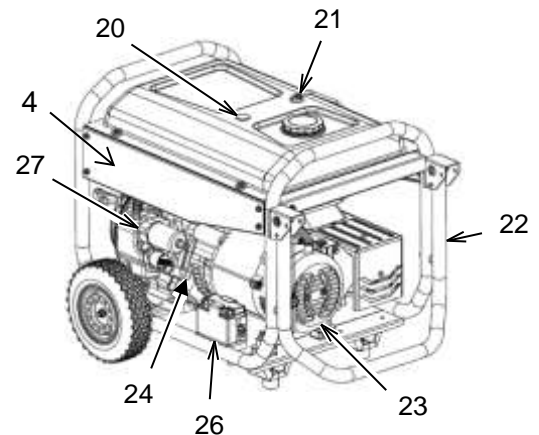
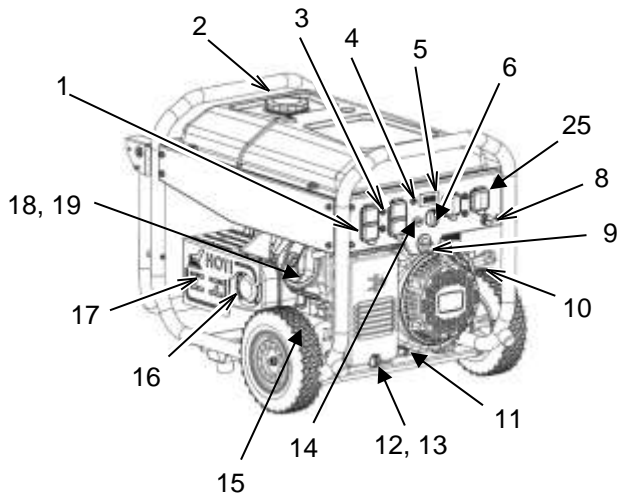
IMPORTANT- These be must be removed before use, otherwise the unit will vibrate excessively and damage may occur.

COMPONENT IDENTIFICATION

RP3600, RP5500, and RP6500



RP6500 E, RP7500 E, and RP8000 E

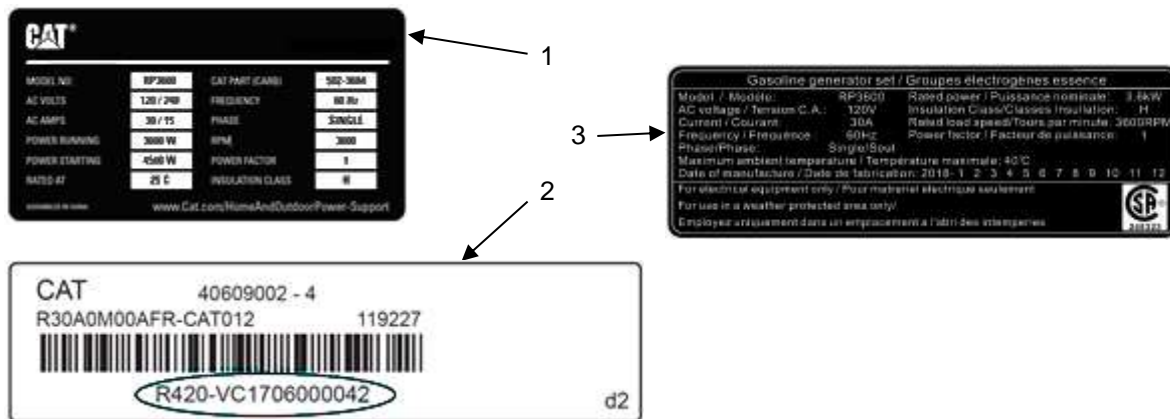
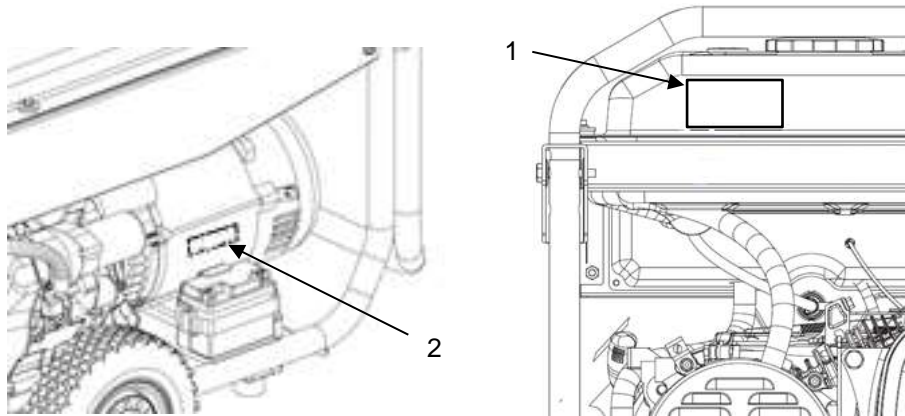


- 1) Receptacle – 120 VAC double
- 2) Fuel Cap
- 3) Circuit Breaker
- 4) CO Detector (If equipped)
- 5) Display
- 6) Generator Switch
- 7) Receptacle – 30A 120 VAC RV*
Receptacle – 120/ 240 VAC locking+
- 8) Panel Light
- 9) Fuel Valve
- 10) Recoil Start
- 11) Oil Drain
- 12) Air Filter Assembly
- 13) Air Filter
- 14) Choke Knob

- 15) CARB Canister (If equipped)
- 16) Spark Arrestor
- 17) Muffler
- 18) Engine
- 19) Spark Plug
- 20) Fuel Gauge
- 21) Fuel Tank Vent Pipe
- 22) Handle Assembly
- 23) Alternator
- 24) Oil Gauge / Oil Fill
- 25) Receptacles – 120/240 VAC locking &
120 VAC locking
- 26) Battery
- 27) Starter

*RP3600
+RP5500

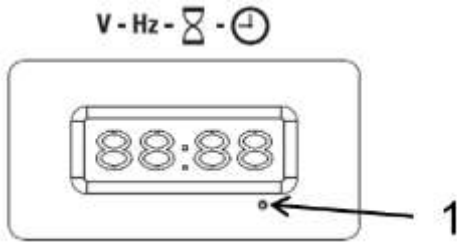
Engine Type & Serial Number



Cat® portable generators are identified with model numbers, serial numbers, and with performance specification numbers. The model number and performance specifications are located on the ratings plate (1) or the CSA ratings plate (3). The serial number is located on the serial number plate (2).

CONTROLS

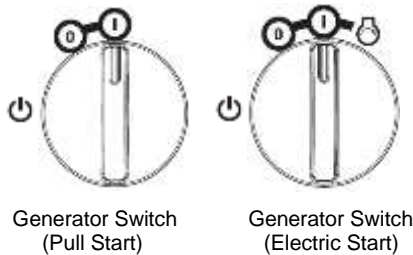
Display



This generator is equipped with a display that can show the voltage, frequency, total accumulated hours of operation, and current hours. Use the toggle switch (1) to change the readout of the display to the desired setting.

The display will show 3 maintenance messages when running: P-25 displays after the first 25 hours running to remind the user to change engine oil. P-50 displays after every 50 hours of use to remind user to change engine oil and check spark arresstor. P-100 displays after every 100 hours of use to remind user to change engine oil and check spark plug. These codes fade away after 6 minutes of use.

Generator Switch



For pull starting the generator, turn the generator switch to the on position “I” before starting the generator. For models with electric starting, turn the generator switch to the start position “II”. To turn off the generator, turn the generator switch to the off “0” position.

Choke



The choke is used to provide more fuel when starting a cold engine. If the engine is cold, pull the choke knob out before starting the engine. Once the engine starts, slowly push in the choke knob.

CO DEFENSE™ & Shut Off System (If equipped)



CO DEFENSE	⚠ WARNING	⚠ AVERTISSEMENT	⚠ ADVERTENCIA
<p>FLASHING RED INDICATOR - AUTOMATIC SHUT OFF EVENT. YOU MUST:</p> <ul style="list-style-type: none"> Leave area immediately and relocate to an open outdoor area. Ventilate area thoroughly before re-occupying again. Ensure the generator is located in an open outdoor area. <p>NEVER TO FRESH AIR AND GET MEDICAL HELP IF NECESSARY. CALL 911 IF NECESSARY.</p> <p>CONSTANT ORANGE INDICATOR - SYSTEM FAULT CONTACT SERVICE.</p> <p>TAMPERING WITH CO DEFENSE COULD RESULT IN A HAZARDOUS CONDITION.</p>	<p>FLASHING RED INDICATOR - AUTOMATIC SHUT OFF EVENT. YOU MUST:</p> <ul style="list-style-type: none"> Leave area immediately and relocate to an open outdoor area. Ventilate area thoroughly before re-occupying again. Ensure the generator is located in an open outdoor area. <p>NEVER TO FRESH AIR AND GET MEDICAL HELP IF NECESSARY. CALL 911 IF NECESSARY.</p> <p>CONSTANT ORANGE INDICATOR - SYSTEM FAULT CONTACT SERVICE.</p> <p>TAMPERING WITH CO DEFENSE COULD RESULT IN A HAZARDOUS CONDITION.</p>	<p>ÉVÉNEMENT ROUGE CLIGNOTANT - ÉVÉNEMENT DÉTACHANT UN ARRÊT AUTOMATIQUE. VOUS DEVEZ:</p> <ul style="list-style-type: none"> Quitter immédiatement le site et vous rendre dans un lieu extérieur en plein air. Bien ventiler la zone avant d'occuper les lieux de nouveau. S'assurer que le générateur est placé dans un lieu extérieur au plein air. <p>NE PAS ALLER À L'AIR FRAIS ET SE RENDRE À L'HÔPITAL SI BESOIN. APPELEZ LE 911 EN CAS DE BESOIN.</p> <p>INDICATEUR ORANGE FIXE - DÉTACHANCE DU SYSTÈME. COMMUNIQUEZ AVEC LE DÉTACHABLE.</p> <p>L'ALTÉRATION DE CO DEFENSE PEUT ENTRAINER DES CONDITIONS DANGEREUSES.</p>	<p>EL INDICADOR ROJO PARRAFA - EVENTO DE APAGADO AUTOMÁTICO. DEBE HECHO:</p> <ul style="list-style-type: none"> Abandonar el área de inmediato y ir a un lugar al aire libre. Ventilar bien el área antes de volver a ocuparla. Asegurarse de que el generador está ubicado en un lugar al aire libre. <p>NO IR A FRESCO Y BUSCAR AYUDA MÉDICA EN CASO DE NECESIDAD. LLAME AL 911 SI LO NECESITA.</p> <p>INDICADOR NARANJA FIJO - FALLA DEL SISTEMA. COMUNIQUESE CON EL DISTRIBUIDOR.</p> <p>FAECER ALTERACIONES CON CO DEFENSE PODRÁ OCASIONAR CONDICIONES PELIGROSAS.</p>

The (carbon monoxide) CO DEFENSE system monitors the accumulation of carbon monoxide gas while the generator is running and will shut off the engine if the levels become dangerously high. The CO DEFENSE™ on this generator is not a substitute for an indoor CO alarm.

Whenever the CO DEFENSE has shut off the engine there will be a light on the control panel that indicates the reason. Read the CO Action Label (shown above) for the next steps to take.

If the CO DEFENSE light is flashing “red” you must leave the area immediately and relocate to an open outdoor area. Ventilate the area thoroughly before again occupying it. Ensure the generator is located in an open outdoor area with the exhaust pointed away from occupied structures. If anyone experiences dizziness, headaches, nausea, or fatigue get to fresh air immediately and seek medical attention.

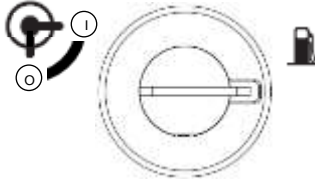
If the CO DEFENSE light is a constant “orange” then a system fault has occurred, or it is indicating that it has reached the end of its life. This fault can only be diagnosed and repaired by an Authorized Service Provider.

The CO DEFENSE monitors the accumulation of CO gas from all sources in the area around the generator. If the CO DEFENSE light is flashing “red” this is not an error and safety measures must be taken immediately.

Note: Tampering with the CO DEFENSE could result in hazardous conditions and must be avoided.

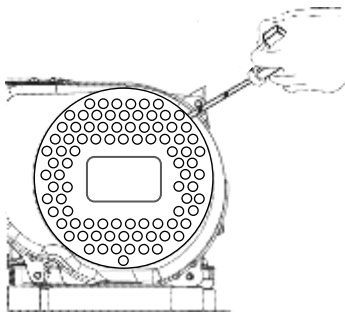
Note The generator must not be operated in ambient temperatures greater than 131°F (55°C) as this can damage the CO DEFENSE.

Fuel Switch



The fuel switch controls the flow of the fuel from the fuel tank to the carburetor. Turn the fuel switch to the on "I" position before starting the engine. Turn the fuel switch to the off "O" position after stopping the engine.

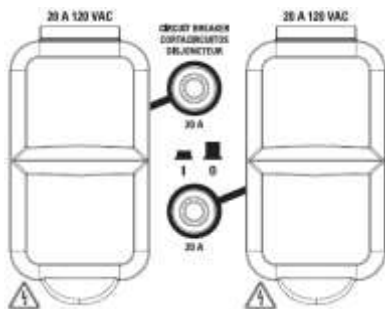
Recoil Starter



To start the engine, slowly pull the starter handle until resistance is felt, then quickly pull the starter handle the rest of the way.

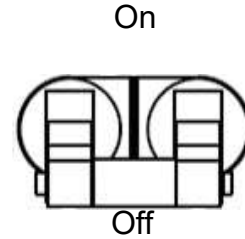
Do not allow the starter handle to snap back against the engine. Return it gently to prevent damage to the starter.

AC Circuit Breaker



The generator comes equipped with circuit breakers that protect the unit and the load from short circuit or overload conditions. If the circuit breaker opens, determine why the circuit breaker tripped before closing the circuit breaker.

CSA Circuit Breaker (If equipped)

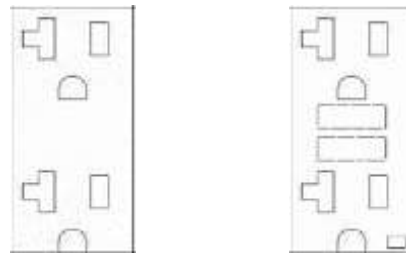


240V portable generators sold in Canada come with an additional circuit breaker that will isolate all outlets on the panel. This breaker must be in the "On" position for the unit to provide power.

Low Oil Level Shutdown

The generator is equipped with a low oil level shutdown that is designed to protect the engine from damage caused by an insufficient amount of oil in the crankcase. When the oil level in the crankcase falls below the safe operating limit, the low oil level shutdown will automatically shut off the engine.

120 VAC, 20 Amp, Duplex



The 120 VAC duplex receptacle is protected against overload by a 20 Amp push to reset circuit breaker. It also provides protection via a Ground Fault Circuit Interruptor (GFCI) with press to Test and Reset buttons (RP5500, RP6500, RP6500 E, RP7500 E, RP8000 E). Use the receptacle to power a NEMA 5-20, 120 VAC, single phase, 60 Hz electrical load requiring 20 Amps of current.

Use only high quality, well insulated, 3-wire grounded cords rated for 125 V at 20 Amps (or greater). Keep extension cords as short as possible (less than 15 feet) to prevent voltage drop and overheating of wires.

RV Receptacle



The 120 VAC RV outlet is protected against overload by a 30 Amp push to reset circuit breaker. Use a NEMA TT-30 (120 VAC outlets) plug with this receptacle.

Use the receptacle to power a 120 VAC, single phase, 60 Hz electrical load.

120 VAC, 120/240 VAC 30 Amp, Locking



The 120 VAC and 120/240 VAC locking receptacles are protected against overload by the following push to reset circuit breakers:

	Individual Breaker	Main Breaker
RP5500		23 A
RP6500		28 A
RP6500 E		28 A
RP6500 E CSA		27 A *
RP7500 E	30 A	31 A
RP7500 E CSA		30 A *
RP8000 E	30 A	33 A

*Double pole

Use a NEMA L5-30 (120 VAC outlets) or NEMA L14-30 (120/240 VAC outlets) plug with this receptacle (rotate to lock or unlock).

Use the receptacles to supply a single phase 60 Hz 120 V AC or 240 VAC electrical load.

GENERATOR OPERATION

Optimal Generator Operating Conditions

- Temperature: 23°F to 104 °F (-5°C to 40°C)
- Humidity below 95%
- Height above sea level: < 3000 feet (900 m). If the height of the operating area is over 900 m high, output power will be reduced.

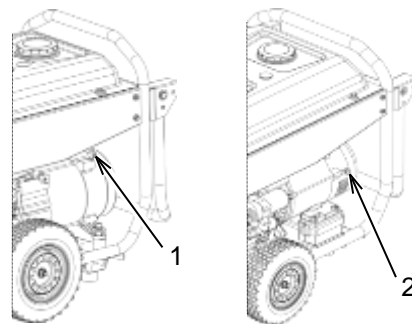
Standard operating conditions are 77°F (25°C) and 40% humidity. Generator power may be reduced due to different ambient conditions and other factors such as fuel quality.

Connection to Household Power Supply

This generator must be installed in accordance with all applicable local laws and electrical codes. The generator must be isolated from the utility and the connection must be verified by a qualified electrician.

Generator Grounding

The National Electrical Code requires generators to be grounded to an approved earth ground. Correct grounding for the generator is necessary for optimum engine performance and reduces the risk of electric shock. Use the ground terminal to properly ground the generator. Before using the ground terminal, consult a qualified electrician, electrical inspector, or local authority having jurisdiction for local codes or ordinances that apply for the intended use of the generator.



1. RP3600 Earth Ground
2. RP5500, RP6500, RP6500 E, RP7500 E, RP8000 E Earth Ground

STARTING THE ENGINE

Recoil Start

1. Isolate the generator from the utility
2. Unplug any electrical devices from the receptacles.
3. Turn the fuel switch to the on "I" position.
4. Turn the AC circuit breakers to the off "0" position (CSA models only).
5. If the engine is cold, pull out the choke knob.
6. Turn the generator switch to the on "I" position.
7. Slowly pull the starter handle until resistance is felt, then quickly pull the starter handle the rest of the way. If the engine does not start, repeat step 7 until the engine does start.
8. After the engine has warmed, push in the choke knob.
9. Turn the AC circuit breaker to the on "I" position.

Electric Start (If equipped)

1. Isolate the generator from the utility.
2. Unplug any electrical devices from the receptacles.
3. Turn the fuel switch to the on "I" position.
4. Turn the AC circuit breakers to the off "0" position (CSA models only).
5. If the engine is cold, pull out the choke knob.
6. Turn the generator switch to the start position "⚡" and hold it there until the engine starts.

NOTE: Do not hold the generator switch in the start position "⚡" for more than 5 seconds. Holding the generator switch in the start position "⚡" for more than 5 seconds will damage the starter. If the engine fails to start, wait 10 seconds before trying again.

7. After starting the engine, immediately release the generator switch so the switch can automatically return to the on "I" position.
8. After the engine has warmed, push the choke knob in.
9. Turn the AC circuit breaker to the on "I" position.

STOPPING THE ENGINE

1. Disconnect the generator / unplug all electrical devices.
2. Turn the AC circuit breaker to the off "0" position (CSA models only).
3. Turn the generator switch to the off "0" position.
4. Turn the fuel switch to the off "0" position.

Note: To stop the engine in an emergency, turn the generator switch to the off "0" position.

MAINTENANCE

Ensure that all safety information, warnings, and instructions are read and understood before any maintenance procedures are performed.

Use service hours or calendar time, WHICH EVER OCCURS FIRST, to determine the correct maintenance intervals.

Stop the engine before servicing. Put the engine in horizontal position and remove the spark plug cap to prevent the engine from starting. Do not operate the engine in an unventilated room or other enclosed area.

When Required:

Fuel Tank Cap and Strainer – Clean

Every Use:

Engine Oil Level – Check
Walk-Around Inspection

First 25 Service Hours or 1 Month:

Engine Oil – Change

Every Month:

Generator – Inspect

Every 50 Service Hours or 3 Months:

Air Filter – Check
Spark Arrester – Inspect/Clean/Replace

Every 100 Service Hours or 6 Months:

Engine Oil – Change
Spark Plug – Inspect/Adjust/Replace

Every 300 Service Hours or 1 Year:

Carbon Brush – Inspect/Repair/Replace
Cylinder Head – Clean
Engine Valve Lash – Check

Every 2 Years:

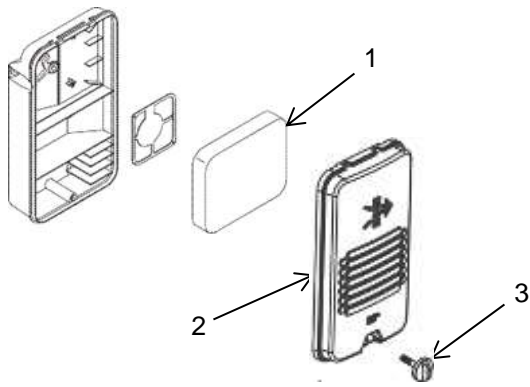
Fuel Line – Replace

NOTE: Use only genuine Caterpillar parts.

Air Filter – Check

A dirty air filter will restrict air flow into the carburetor, will cause poor fuel economy, and may damage the engine. To keep the generator in good operating condition, service the air filter regularly. Service more frequently when operating the generator in extremely dusty areas.

Note: Never operate the generator without the air filter in place. Operating the generator without the air filter in place will result in rapid engine wear.



Remove the air filter cover bolt (3) and remove the air filter cover (2). Make sure that the air filter (1) is clean and not damaged. If the air filter is dirty, wash the filter. If the air filter is damaged, replace the air filter.

Use a nonflammable solvent or a mixture of household detergent and warm water to wash the filter. Rinse the filter thoroughly to remove all of the cleaning solution. After the filter has dried, pour some engine oil onto the filter. Then squeeze the filter to distribute the oil throughout the filter and remove any excess oil.

Note: Do not wring out the filter. Wringing out the filter may damage the filter.

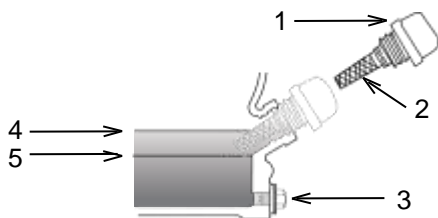
Install the filter into the filter housing. Place the air filter cover over the filter and reinstall the air filter cover bolt.

Cylinder Head - Clean

Only qualified service personnel should perform this maintenance procedure. Contact your local service center to schedule this maintenance.

Engine Oil Level – Check

Always check the engine oil with the generator on a level surface and with the engine stopped.



1. Remove the oil filler cap (1) and wipe the oil level gauge (2) to clean it.

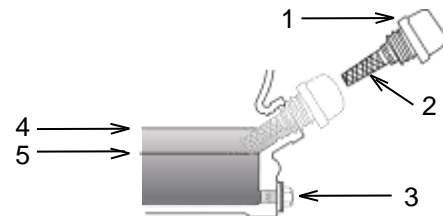
2. Check the oil level by inserting the oil level gauge into the filler neck. Do not screw the oil filler cap in when checking the oil level.
3. If the oil level is low (5), add the recommended engine oil until the oil level reaches the upper mark (4) on the oil level gauge. Use the chart below to determine which viscosity oil to use.

Recommended Lubricant Viscosities for Ambient Temperature				
Oil Viscosities	°C		°F	
	Min	Max	Min	Max
SAE 0W-40	-40	40	-40	104
SAE 5W-40	-30	50	-22	122
SAE 10W-30	-18	40	0	104
SAE 15W-40	-10	50	14	122

4. After adding oil, install and tighten the oil filler cap.

Note: Non-detergent and 2-stroke engine oils will damage the engine and must not be used.

Engine Oil – Change



1. Operate the engine until it reaches normal operating temperature. Stop the engine and use a suitable container to collect the used oil.
2. Remove the oil filler cap (1) and drain plug (3) to drain the oil.
3. Reinstall the drain plug and tighten to 18 ± 2 lb ft (24 ± 3 Nm).
4. Refill the oil and check the oil level. Refer to Engine Oil Level – Check.
5. Install and tighten the oil filler cap.
6. Dispose of the used oil properly.

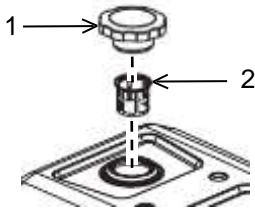
Engine Valve Lash – Inspect/Adjust

Only qualified service personnel should perform this maintenance procedure. Contact your local service center to schedule this maintenance.

Fuel Line – Replace

Only qualified service personnel should perform this maintenance procedure. Contact your local service center to schedule this maintenance.

Fuel Tank Cap and Strainer – Clean



Wipe off the fuel cap (1) and surrounding area before removing the fuel cap. Wiping off the fuel cap and surrounding area before removing the fuel cap helps to reduce the amount of contaminants allowed into the fuel system.

If there is a build-up of debris in the fuel strainer (2), remove the strainer and rinse out the strainer. Allow the strainer to dry before installing the strainer.

Generator - Inspect

Once a month start the engine and run the engine until it reaches normal operating temperature (about 20 minutes). Plug in a corded device and turn on the device to ensure that the generator is providing power. Once you have verified that the generator is providing power, turn off the device and unplug it. Then turn the generator off.

Spark Arrestor - Inspect/Clean/Replace

This unit has a spark arrestor fitted to the exhaust outlet of the muffler. The spark arrestor should be cleaned with a soft wire brush after every 50 hours or 3 months of use. The spark arrestor should be replaced after every 100 hours of operation or if it becomes damaged.

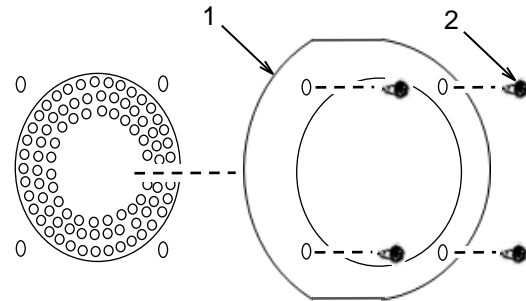


Hot Surface

WARNING

Hot parts or hot components can cause burns or personal injury. Do not allow hot parts or components to contact your skin. Use protective clothing or protective equipment to protect your skin.

DO NOT perform this maintenance procedure until the muffler has cooled.

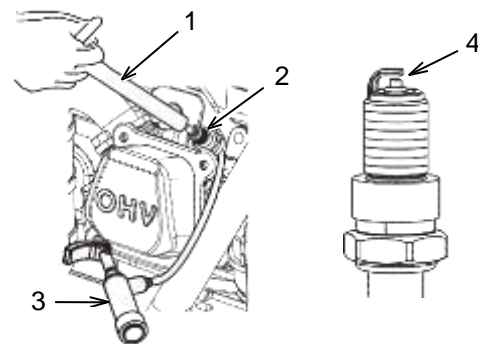


Remove screws (2). Remove spark arrestor (1). Check the spark arrestor. Carefully clean the spark arrestor with a soft wire brush. If the spark arrestor is damaged, replace the spark arrestor.

To install the spark arrestor, align the mounting holes in the spark arrestor with the mounting holes on the muffler. Insert screws (2) and tighten securely.

Spark Plug – Inspect/Adjust/Replace

Refer to the Specifications section of this manual to determine the proper spark plug part number and spark plug gap for your product.



1. Remove the side panel.
2. Remove the spark plug cap (3).
3. Use the plug wrench (1) to remove the spark plug.

4. Visually check the spark plug to see if it is damaged. If the insulator is cracked, replace the spark plug. If the electrode is damaged, replace the spark plug.
5. Measure the plug gap (4) with a feeler gauge. Adjust the gap as necessary by carefully bending the side electrode. Refer to Specifications for the correct gap for your product.
6. Check the spark plug washer to ensure proper working condition. If the washer is damaged, replace the washer.
7. Install spark plug and tighten to 16 ± 2 lb ft (22 ± 2 Nm). DO NOT overtighten as this may damage the engine.

Battery (if equipped)– Inspect/Replace

If the battery voltage is below 12.8 volts, charge the battery. Recommended maximum continuous charge voltage is 15 volts.

If the battery is unable to turn over the engine, even after charging, check the battery terminals are secure and free from corrosion.

If the battery requires replacement:

1. Disconnect the negative (-) cable **first**.
2. Disconnect the positive (+) cable **second**.

To install the new battery:

1. Connect the positive (+) cable **first**.
2. Connect the negative (-) cable **second**.

NOTE: Use only genuine Caterpillar parts.

CAUTION - DANGER OF EXPLOSION IF BATTERY IS INCORRECTLY REPLACED, REPLACE ONLY WITH THE SAME OR EQUIVALENT TYPE.

The used battery should be recycled in accordance with local laws.

Walk-Around Inspection

Before starting the engine perform a visual inspection of the unit. Look for:

- Proper oil level
- Proper fuel level
- Good quality fuel
- Fluid leaks
- Loose clamps
- Loose bolts
- Cracked fuel line
- Loose or frayed wiring
- Built up debris

In addition, make sure that:

- The ground terminal is properly connected
- The circuit breakers are in OFF “0” position

STORAGE

When a generator is in storage, air may condense and moisture may appear on the windings. In order to minimize condensation, always store the generator in a dry area. Cover the generator with a protective cover that extends to the ground. The cover should remain loose around the generator in order to allow proper ventilation.

The generator must not be stored in ambient temperatures greater than 131°F (55°C) as this can damage the CO Detector (if equipped).

Storage for 1 to 3 months

Remove any dirt, rust, grease, and oil from the generator. DO NOT use a pressure washer to clean the generator. Inspect the exterior. Make any necessary repairs.

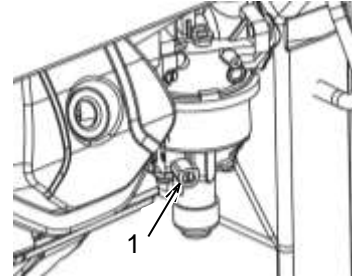
Add fuel stabilizer to the fuel tank to prevent the gasoline from going bad. Start and run the engine for 10 minutes to ensure that the fuel stabilizer has been pulled in to the carburetor. Shut off the engine and allow the engine to cool.

Turn the fuel valve to the off “O” position.

Move the generator to the storage place. Cover the generator.

Storage for more than 3 months

Remove any dirt, rust, grease, and oil from the generator. DO NOT use a pressure washer to clean the generator. Inspect the exterior. Make any necessary repairs.



WARNING

Gasoline is extremely flammable and is explosive under certain conditions. Drain the fuel in a well-ventilated area with the engine stopped and cool. Never smoke or allow flames or sparks in the area during this procedure.

Make sure that the fuel valve is in the on “I” position. Remove the fuel cap and the drain plug (1) from the carburetor bowl and drain the fuel into a suitable container. DO NOT save the fuel for future use in the generator. Once the fuel has completely drained from the system install the drain plug into the carburetor. Turn the fuel valve to the off “O” position. Apply a small amount of oil to the threads on the fuel tank filler neck and install the cap.

Change the engine oil.

Remove the spark plug and pour a small amount of oil into the cylinder. Install the spark plug but do not install the spark plug cap. Pull the starter handle 3 times to distribute the oil over the cylinder walls.

Remove the battery and place the battery in storage. Periodically check the battery and charge the battery when needed.

Move the generator to the storage place. Cover the generator.

TROUBLESHOOTING

Issue:	Possible Cause:	Solution:	Check:
Engine Will Not Start	Generator switch in the off " 0 " position	Turn the generator switch to the correct position.	Start the engine.
	Choke knob in the wrong position	Place the choke knob in the correct position.	
	No fuel	Fill the fuel tank.	
	Bad or contaminated fuel	Check the fuel.	
	Not enough oil in the engine	Check the oil level. If low, add the recommended oil.	
	Dirty air filter	Clean the air filter.	
	No fuel at the carburetor	Make sure the fuel switch is in the on "I" position.	
	Engine flooded	Wait 5 minutes.	
	No spark	Replace the spark plug.	
	For electric start, start the engine using the recoil starter.	If the generator starts, check the battery. If the battery is providing less than 12.4 volts, replace.	
	If the engine still will not start:	Take the unit to an authorized service provider.	
Engine Runs Rough (no load)	Dirty air filter	Stop the engine and check the air filter. Clean if needed.	Start the engine / check if it runs rough.
	Choke knob in the wrong position	Place the choke knob in the correct position.	
	If the engine still runs rough:	Take the unit to an authorized service provider.	
Engine Shuts Down	Out of fuel	Check the fuel. Fill the tank if necessary.	Start the engine / check if it shuts down.
	Not enough oil in the engine	Check the oil level. If low, add the recommended oil.	
	Dirty air filter	Clean the air filter.	
	Generator overloaded	Unplug some of the devices.	
	Shut off due to CO accumulation & flashing red indicator	Follow all safety instructions on CO Action Label	
	Shut off due to CO detector system fault & constant orange indicator	System fault or end of life indication. Take the unit to an authorized service provider.	
Engine Runs Rough (with load)	Dirty air filter	Stop the engine and check the air filter. Clean if needed.	Start the engine / check if it runs rough.
	Generator overloaded	Unplug some of the devices.	
	Defective device plugged in	Unplug defective device.	
	If the engine still runs rough:	Take the unit to an authorized service provider.	
Engine Runs, But Generator Does Not Provide Power	Circuit breaker is open	Close the circuit breaker.	Start the engine / check for power.
	Bad connection	Stop the engine and check the connections.	
	Defective power cord	Replace the cord.	
	Defective device plugged in	Unplug defective device.	
	If there is still no power:	Take the unit to an authorized service provider.	

SPECIFICATIONS

	RP3600	RP5500	RP6500	RP6500 E	RP7500 E	RP8000 E
Engine Type	Single Cylinder, 4-Stroke, Forced Air Cooling, OHV					
Displacement (cc)	212	301	420	420	420	420
Ignition System	Transistorized Magneto					
Spark Plug Gap	.028 - .032 inches (0.7 – 0.8mm)					
Fuel Volume	4.2 U.S. gallons (16L)	7.5 U.S. gallons (28.5L)				
Fuel Consumption (g/(kW·h))	≤ 395	≤ 374	≤ 374	≤ 374	≤ 374	≤ 374
100% load continuous running time (hr)	7.5	10.5	8.8	8.8	6.5	6.2
50% load continuous running time (hr)	13.5	15	12	12	11	10.5
Oil Capacity	0.55 quart (0.52L)	1.1 quart (1.05L)				
Charging Voltage (VDC)	N/A			12-60		
Charging Current (A)	N/A			0-100		
Rated Frequency (Hz)	60					
Rated Voltage (V)	120	120/240				
Rated Output Power (kW)	3.6	5.5	6.5	6.5	7.5	8.0
Surge Output Power (kW)	4.5	6.875	8.125	8.125	9.375	10.0
Phase	Single					

COMBINED EXHAUST AND EVAPORATIVE EMISSIONS CONTROLS WARRANTY STATEMENT

Your Warranty Rights and Obligations

The California Air Resources Board (CARB), the United States Environmental Protection Agency (EPA), and Caterpillar Inc. are pleased to explain the exhaust and evaporative emissions control system warranty on your 2020 model year small off-road engine/equipment. In the United States and California, new equipment that use small off-road engines must be designed, built, and equipped to meet stringent emissions standards. Caterpillar must warrant the emission control system on your small off-road engine/equipment for the periods of time listed below provided there has been no abuse, neglect, or improper maintenance of your small off-road engine/equipment leading to the failure of the emissions control system.

Your emissions control system may include parts such as the carburetor or fuel injection system, the ignition system, catalytic converter, fuel tanks, fuel lines (for liquid fuel and fuel vapors), fuel caps, valves, canisters, filters, clamps, and other associated components. Also included may be hoses, belts, connectors, and other emission-related assemblies.

Where a warrantable condition exists, Caterpillar will repair your small off-road engine/equipment at no cost to you including diagnosis, parts, and labor.

Manufacturer's Warranty Coverage

The exhaust and evaporative emissions control system on your small off-road engine/equipment is warranted for three years. If any emission-related part on your small off-road engine/equipment is defective, the part will be repaired or replaced by Caterpillar.

Owner's Warranty Responsibilities

As the small off-road engine/equipment owner, you are responsible for the performance of the required maintenance listed in your owner's manual. Caterpillar recommends that you retain all receipts covering maintenance on your small off-road engine/equipment, but Caterpillar cannot deny warranty coverage solely for the

lack of receipts or for your failure to ensure the performance of all scheduled maintenance.

As the small off-road engine/equipment owner, you should however be aware that Caterpillar may deny you warranty coverage if your small off-road engine/equipment or a part has failed due to abuse, neglect, improper maintenance or unapproved modifications.

You are responsible for presenting your small off-road engine/equipment to a Caterpillar distribution center or service center as soon as a problem exists. The warranty repairs shall be completed in a reasonable amount of time, not to exceed 30 days.

If you have any questions regarding your warranty rights and responsibilities, you should contact Caterpillar at 1-844-797-6387 or E-mail: homeandoutdoorpower@cat.com.

Defects Warranty Requirements:

- (a) The warranty period begins on the date the engine/equipment is delivered to an ultimate purchaser.
- (b) General Emissions Warranty Coverage. Caterpillar warrants to the ultimate purchaser and each subsequent owner that the engine or equipment is:
 - (1) Designed, built, and equipped so as to conform with all applicable regulations adopted by the Air Resources Board; and
 - (2) Free from defects in materials and workmanship that causes the failure of a warranted part for a period of three years
- (c) The warranty on emission-related parts will be interpreted as follows:
 - (1) Any warranted part that is not scheduled for replacement as required maintenance in the written instructions must be warranted for the warranty period defined in Subsection (b)(2). If any such part fails during the period of warranty coverage, it must be repaired or replaced by Caterpillar according to Subsection (4) below. Any such part repaired or replaced under the warranty must be warranted for the remaining warranty period.
 - (2) Any warranted part that is scheduled only for regular inspection in the written instructions must be warranted for the warranty period defined in Subsection (b)(2). A statement in such written instructions to the effect of "repair or replace as necessary" shall advise owners of the warranty coverage for emissions related parts. Replacement within the warranty period is covered by the warranty and will not reduce

- the period of warranty coverage. Any such part repaired or replaced under warranty must be warranted for the remaining warranty period.
- (3) Any warranted part that is scheduled for replacement as required maintenance in the written instructions must be warranted for the period of time prior to the first scheduled replacement point for that part. If the part fails prior to the first scheduled replacement, the part must be repaired or replaced by Caterpillar according to Subsection (4) below. Any such part repaired or replaced under warranty must be warranted for the remainder of the period prior to the first scheduled replacement point for the part.
 - (4) Repair or replacement of any warranted part under the warranty provisions must be performed at no charge to the owner at a warranty station.
 - (5) Notwithstanding the provisions of Subsection (4) above, warranty services or repairs must be provided at distribution centers that are franchised to service the subject engine/equipment.
 - (6) The owner must not be charged for diagnostic labor that leads to the determination that a warranted part is in fact defective, provided that such diagnostic work is performed at a warranty station.
 - (7) Caterpillar is liable for damages to other engine/equipment components proximately caused by a failure under warranty of any warranted part.
 - (8) Throughout the emissions control system's warranty period set out in subsection (b)(2), Caterpillar must maintain a supply of warranted parts sufficient to meet the expected demand for such parts and must obtain additional parts if that supply is exhausted.
 - (9) Manufacturer-approved replacement parts that do not increase the exhaust or evaporative emissions of the engine or emissions control system must be used in the performance of any warranty maintenance or repairs and must be provided without charge to the owner. Such use will not reduce the warranty obligations of Caterpillar.
 - (10) Add-on or modified parts that are not exempted by the Air Resources Board may not be used. The use of any non-exempted add-on or modified parts will be grounds for disallowing a warranty claim. Caterpillar will not be liable to warrant failures of warranted parts caused by the use of a non-exempted add-on or modified part.
 - (11) Caterpillar issuing the warranty shall provide any documents that describe that warranty procedures or policies within five working days of request by the Executive Officer.

- (d) Emission Warranty Parts List for exhaust
 - (1) Fuel Metering System
 - (i) Carburetor and internal parts (and/or pressure regulator or fuel injection system)
 - (ii) Air/fuel ratio feedback and control system
 - (iii) Cold start enrichment system
 - (2) Air Induction System
 - (i) Controlled hot air intake system
 - (ii) Intake manifold
 - (iii) Air filter
 - (3) Ignition System
 - (i) Spark plugs
 - (ii) Magneto or electronic ignition system
 - (iii) Spark advance/retard system
 - (4) Exhaust Gas Recirculation (EGR) System
 - (i) EGR valve body, and carburetor spacer if applicable
 - (ii) EGR rate feedback and control system
 - (5) Air Injection System
 - (i) Air pump or pulse valve
 - (ii) Valves affecting distribution of flow
 - (iii) Distribution manifold
 - (6) Catalyst or Thermal Reactor System
 - (i) Catalytic converter
 - (ii) Thermal reactor
 - (iii) Exhaust manifold
 - (7) Particulate Controls
 - (i) Traps, filters, precipitators, and any other device used to capture particulate emissions
 - (8) Miscellaneous Items Used in Above Systems
 - (i) Electronic controls
 - (ii) Vacuum, temperature, and time sensitive valves and switches
 - (iii) Hoses, belts, connectors, and assemblies.
- (e) Emissions Warranty Parts List for Evaporative Emissions
 - (1) Fuel Tank
 - (2) Fuel Cap
 - (3) Fuel Lines (for liquid fuel and fuel vapors)
 - (4) Fuel Line Fittings
 - (5) Clamps*
 - (6) Pressure Relief Valves*
 - (7) Control Valves*
 - (8) Control Solenoids*
 - (9) Electronic Controls*
 - (10) Vacuum Control Diaphragms*
 - (11) Control Cables*
 - (12) Control Linkages*
 - (13) Purge Valves*
 - (14) Gaskets*
 - (15) Liquid/Vapor Separator
 - (16) Carbon Canister
 - (17) Canister Mounting Brackets
 - (18) Carburetor Purge Port Connector

*Note: As they relate to the evaporative emission control system

WARRANTY

CATERPILLAR LIMITED WARRANTY FOR PORTABLE GENERATOR MODELS: RP3600, RP5500, RP6500, RP6500 E, RP7500 E, RP8000 E, RP12000 E Purchased in the United States and Canada

Caterpillar (Newberry) LLC. (Caterpillar) warrants to the original purchaser that any new Cat branded portable generator products purchased in the United States and Canada are free from defects in materials and workmanship for the warranty period set forth below, provided that the product is operated and maintained in accordance with Caterpillar's instructions and manuals. Caterpillar will, at its option, repair or replace any part which, upon inspection by Caterpillar or a Caterpillar authorized service representative, is found to be defective during the warranty period as set forth below. Any product that the purchaser claims to be defective must be returned to and examined by the nearest Caterpillar authorized service representative located in the United States or Canada. Transportation and associated costs and risk of loss are the responsibility of the purchaser.

Warranty Period:

All new portable generator products are warranted under normal use for a period of two (2) years from the date of original purchase or 1000 operating hours, whichever occurs first. If proof of original purchase is not presented, the manufacturer's shipping date will be used to determine the start of the warranty period. To help with any warranty claims, the original purchaser should register the product on www.cat.com/homeandoutdoorpower-support immediately following the purchase.

By means of registering the product on www.cat.com/homeandoutdoorpower-support within thirty (30) days from the date of purchase, original purchasers have the option to extend the Warranty Period by one additional year for a total of three (3) years calculated from the date of original purchase of the product subject to the limitation of 1000 operating hours in total for the duration of the Warranty Period.

This Warranty shall NOT apply to the following:

1. Damage or deterioration caused by normal wear and tear.
2. Failures caused by any external cause or act of God, such as accident, collision, theft, vandalism, riots, wars, fire, freezing, lightning, earth-quakes, windstorms, hail, volcanic eruptions, floods, tornados or hurricanes.
3. Failures due to alterations, adjustments, unauthorized fuel setting changes, neglect or improper storage, repair and/or maintenance.
4. Failures due to abuse or application of the product for uses other than for which it is designed or intended to by the manufacturer, including but not limited to, improper installation or location in a contaminated, harsh, corrosive or saltwater environment.
5. Failures resulting from attachments, accessory items, and parts not sold, issued or approved by Caterpillar.
6. Failures caused by contaminated or improper fuels, fuels, oils or other operating media or improper fluid levels.
7. Failures resulting from user's delay in making the product available after being notified of a potential product problem.
8. Cosmetic damage, discolorations, rusting, corrosion or scratches to applied paint.
9. Replacement of consumables such as, but not limited to, fuses, lamps, filters, etc.
10. Repair by any party other than a Caterpillar authorized service representative.
11. Additional expenses for repair after normal business hours, i.e. overtime or holiday labor rates.
12. Expenses for rental of equipment during downtime and/or performance of warranty repairs.
13. Expenses related to investigating performance complaints and/or troubleshooting where no manufacturing defect is found.
14. Starting batteries are NOT covered under this warranty but will be covered under the portable generator parts warranty.

To obtain warranty service or if you have questions concerning this warranty or its applications, please call 1-844-797-6387 or visit www.cat.com/homeandoutdoorpower-support, where you can also search for your nearest authorized Cat service representative.

CONSUMER ARBITRATION CLAUSE: MANDATORY BINDING INDIVIDUAL ARBITRATION INSTEAD OF COURT; CLASS ACTION WAIVER

- a. You and Caterpillar both agree that, to the extent permitted by applicable law, any and all disputes or claims arising out of or relating in any way to Cat Branded portable generator products or services related thereto, or from any advertising for any such products or services, including any question regarding the existence, validity, or termination of this Caterpillar Limited Warranty, as well as any issue regarding the interpretation of the terms and conditions of this Consumer Arbitration Clause will be resolved by binding arbitration before a sole arbitrator, rather than in court, except that you may assert claims in small claims court if your claims qualify. This also includes any claims that arose before you accepted this Caterpillar Limited Warranty, regardless of whether prior versions of the Limited Warranty required arbitration. In the US, The Federal Arbitration Act (9 U.S.C. § 1 *et seq.*) and federal arbitration law apply to the Caterpillar Limited Warranty and the terms and conditions of this Consumer Arbitration Clause.
- b. Arbitration uses a neutral arbitrator instead of a judge and jury. An arbitrator can award on an individual basis the same damages and relief as a court (including injunctive and declaratory relief or statutory damages) and must follow the terms of this Limited Warranty (including the terms and conditions of this Consumer Arbitration Clause) as a court would. Arbitration procedures allow for more limited discovery, and court review of an arbitration award is limited.
- c. If you have a dispute and elect to seek arbitration or file a claim in small claims court, you must first send to Caterpillar, by certified mail, a written notice of your claim that (a) describes the nature and basis of the claim or dispute; (b) sets forth the specific relief sought and (c) includes a physical address and email address where you may be reached ("Notice"). The Notice must be addressed to: General Counsel, Caterpillar Inc., 100 N.E. Adams St. Peoria Illinois 61629 ("Notice Address") and reference a "Notice of Claim under Caterpillar Limited Warranty." If Caterpillar and you do not reach an agreement to resolve the claim within 60 days after the Notice is received, you or Caterpillar may commence an arbitration proceeding or file a claim in small claims court.
- d. You may download or copy a form to initiate arbitration at www.adr.org. If you are required to pay a filing fee, after Caterpillar receives notice at the Notice Address that you have commenced arbitration, Caterpillar will reimburse you for your payment of the filing fee, unless your claim is for greater than US\$25,000, in which case you will be responsible for filing fees.
- e. The arbitration will be governed by the AAA's then current Consumer Arbitration Rules, as modified by the terms set forth in this Limited Warranty (including the terms and conditions of this Consumer Arbitration Clause), and will be administered by the

AAA. The AAA Rules and Forms are available online at www.adr.org or by calling the AAA at 1-800-778-7879. In the event of any conflict between the terms set forth herein and the AAA Consumer Arbitration Rules, these terms will apply.

- f. If your claim totals less than US\$25,000, Caterpillar will pay for all administrative and arbitration fees, including the arbitrator's compensation, and will reimburse you for any administrative and arbitration fees that you incur. If your claim exceeds US\$25,000, the parties will pay equal shares of any administrative and arbitration fees, including the arbitrator's compensation, except for such fees that the AAA Consumer Arbitration Rules require Caterpillar to pay in full. Each party will bear the expense of its own counsel, experts, witnesses, and preparation and presentation of evidence at any arbitration hearing.
- g. If your claim is for US\$25,000 or less, you and Caterpillar agree that you may choose whether the arbitration will be conducted solely on the basis of documents or through a telephonic hearing. You may also request an in-person hearing, which the arbitrator may grant at his or her discretion. If the arbitrator grants an in-person hearing, such hearing will be conducted either at a mutually agreed location or a location determined by the AAA or the arbitrator. In such an in-person hearing, the parties, or any of their witnesses, have the right to participate remotely by way of videoconference or some similar means. If your claim exceeds US\$25,000, the right to a hearing will be determined by the arbitrator.
- h. You and Caterpillar agree that, to the extent permitted by applicable law, any dispute resolution proceedings, whether in court or before an arbitrator, will be conducted only on an individual basis and not in a class, representative, consolidated, or mass action. Neither you nor Caterpillar may join or consolidate claims by or against a third party, or arbitrate or otherwise participate in any claim as a class representative, class member or in a private attorney general capacity. If this provision is found to be unenforceable, then the entirety of the terms and conditions of these Dispute Resolution and Arbitration paragraphs (other than paragraph (k)) shall be null and void.

Applicable Law

- m. By purchasing or using any Cat branded portable generator product or service related thereto, you agree that, to the degree permitted by applicable law, the Federal Arbitration Act, applicable federal law, and laws of the State of Illinois, without regard to its conflict of laws rules, will govern the terms of this Limited Warranty, as well as any dispute of any sort that might arise between you and Caterpillar relating to such products or services.
- n. If a dispute arises out of a Cat branded portable generator sold in Canada the foregoing dispute resolution and arbitration terms will apply to the extent permitted by applicable law. If the foregoing

Limitations

THIS WARRANTY IS IN PLACE OF ALL OTHER WARRANTIES, EXPRESSED OR IMPLIED. SPECIFICALLY, CATERPILLAR MAKES NO OTHER WARRANTIES AS TO THE MERCHANTABILITY OR FITNESS FOR A PARTICULAR PURPOSE. CATERPILLAR'S ONLY LIABILITY SHALL BE THE REPAIR OR REPLACEMENT OF PART(S) AS STATED ABOVE. IN NO EVENT SHALL CATERPILLAR BE LIABLE FOR ANY INCIDENTAL OR CONSEQUENTIAL DAMAGES, EVEN IF SUCH DAMAGES ARE A DIRECT RESULT OF CATERPILLAR'S NEGLIGENCE.

This warranty is subject to and shall not apply in contravention of the laws or other legal compliance requirements of the United States or any other applicable jurisdiction, without recourse or liability with respect to Caterpillar. Some states do not allow the exclusion or limitation of incidental or consequential damages, so the above limitation may not apply to you. This warranty gives you specific legal rights. You may also have other rights from state to state, or territory.

In USA and Canada: Caterpillar Newberry LLC, Electric Power Division, 40 Mawsons Way, SC 29108-6400, Attention: Customer Service Manager, Telephone (844)-797-6387. Outside the USA and Canada: Contact your Authorized Service Representative www.cat.com/homeandoutdoorpower-support or email homeandoutdoorpower@cat.com.

- i. Any arbitration will be confidential. Neither you, Caterpillar, the AAA, nor the arbitrator may disclose the existence, content (including any oral or written submissions), or results of any arbitration, except as may be required by law or for purposes of enforcing or challenging of the arbitration award.
- j. You may opt out of this dispute resolution procedure by providing written notice to Caterpillar at the Notice Address no later than 30 calendar days from the date of your purchase of Caterpillar products or services (or date of first use, in the case of free products or services) covered by this Limited Warranty. Opting out of this dispute resolution procedure will not otherwise affect the coverage or applicability of the Limited Warranty, or your ability to purchase or use Cat branded portable generator products or services, in any way.
- k. If for any reason a claim proceeds in court rather than in arbitration or small claims court, including if you opt out under paragraph (j), to the extent permitted by applicable law, we each waive any right to a jury trial and agree that any such proceeding shall be conducted only on an individual basis and not in a class, representative, consolidated, or mass action. Under such circumstances, you and Caterpillar agree that, to the extent any dispute arises out of a Cat branded portable generator sold in the US, the federal and state courts of the State of Illinois have exclusive jurisdiction to hear and determine any such claim, consent to the personal jurisdiction of any federal or state court in the State of Illinois, and acknowledge that venue is proper in any judicial district within the State of Illinois. If any part of these Dispute Resolution and Arbitration provisions or this paragraph (k) is found to be unenforceable, the remainder of these Dispute Resolution and Arbitration Provisions and this paragraph (k) shall still be given full force and effect.
- l. In the event that any provision of this agreement is found to be invalid or unenforceable in a particular case or jurisdiction, that provision will be severable in that case or jurisdiction, as the case may be, without affecting the validity and enforceability of the remaining provisions of the agreement, and shall not affect the validity and enforceability of the agreement in other cases and jurisdictions.

terms are not binding upon you under the applicable law of your jurisdiction, and the dispute is within the jurisdiction of the small claims court in your province, you may choose to take your claim to that court. If the dispute exceeds the jurisdiction of the small claims court in your province, you agree to submit to the jurisdiction of the courts within your province for the purpose of litigating all claims, disputes, actions or causes of action, issues or requests for relief arising out of or relating to this Limited Warranty, which courts shall have exclusive jurisdiction over all such claims, disputes, actions or causes of action, issues or requests for relief.

© 2020 Caterpillar. All Rights Reserved. CAT, CATERPILLAR, LET'S DO THE WORK, their respective logos, "Caterpillar Yellow", the "Power Edge" and Cat "Modern Hex" trade dress as well as corporate and product identity used herein, are trademarks of Caterpillar and may not be used without permission. www.cat.com/homeandoutdoorpower

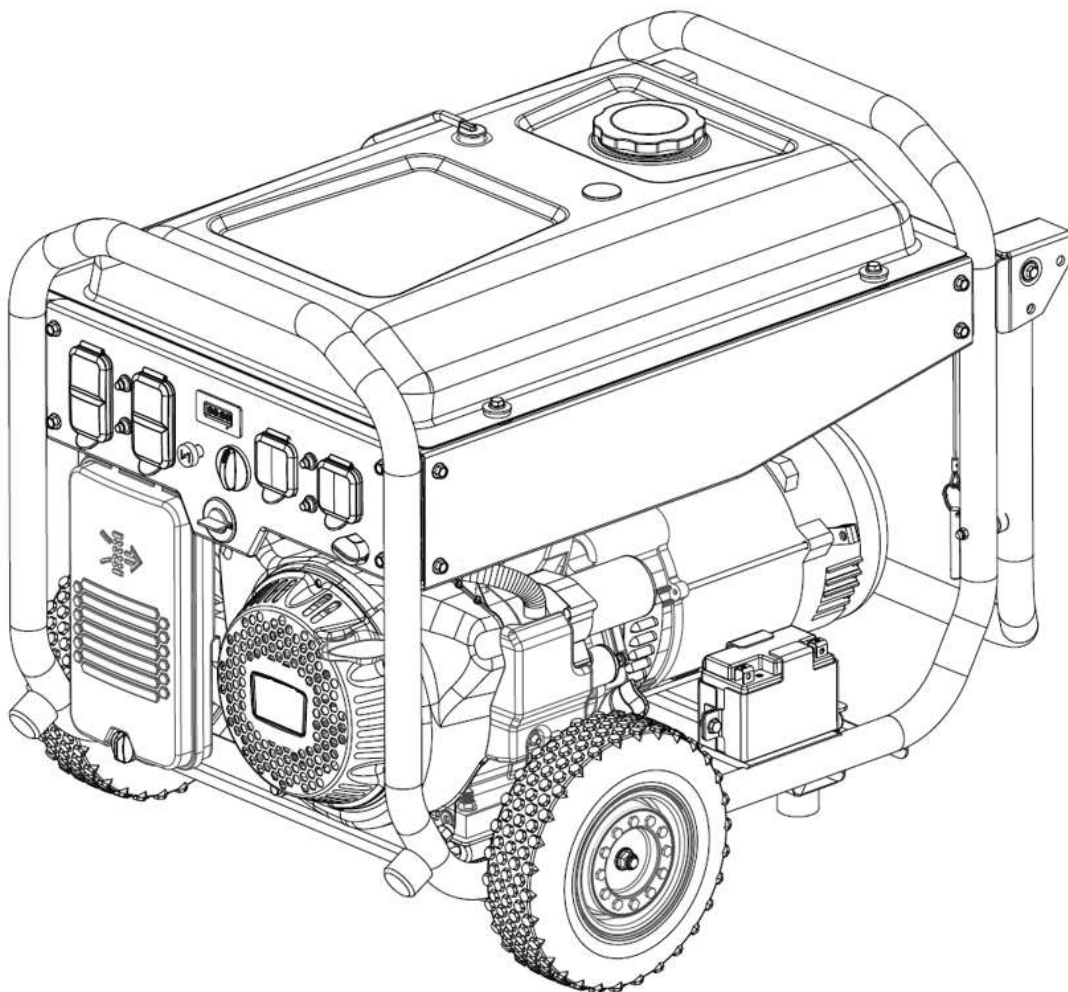


© 2020 Caterpillar. All Rights Reserved. CAT, CATERPILLAR, LET'S DO THE WORK, their respective logos, "Caterpillar Yellow", the "Power Edge" and Cat "Modern Hex" trade dress as well as corporate and product identity used herein, are trademarks of Caterpillar and may not be used without permission.




Manual del propietario

**RP3600, RP5500, RP6500,
RP6500 E, RP7500 E y RP8000 E
Generadores portátiles**



Información importante de seguridad

La mayoría de los accidentes relacionados con la operación, mantenimiento y reparación del producto se deben a la falta de cumplimiento de reglas de seguridad o precauciones básicas. Con frecuencia es posible evitar accidentes si se reconocen antes las posibles situaciones de peligro. La persona debe estar alerta a los posibles peligros, incluyendo los factores humanos que puedan afectar a la seguridad. Esta persona deberá también tener la formación, habilidades y herramientas necesarias para llevar a cabo las tareas adecuadamente.

Encontrará precauciones y advertencias de seguridad en este manual y en el producto mismo. Si no hace caso de estas advertencias de peligro, usted o terceras personas podrían sufrir lesiones, incluso mortales. Los peligros se identifican con el “Símbolo de alerta de seguridad”  y van seguidos de una “Palabra señalizadora”, como “PELIGRO”, “ADVERTENCIA” o “PRECAUCIÓN”.

Caterpillar no puede prever todas las circunstancias que puedan implicar un peligro potencial. Las advertencias de este manual y las situadas sobre el producto no incluyen todas las posibles circunstancias. En ningún caso debe utilizar este producto de forma diferente a la indicada en este manual, sin haberse asegurado antes de haber considerado todas las normas y precauciones de seguridad relacionadas con la operación del producto en el lugar de uso, incluyendo normas y precauciones específicas aplicables en el lugar de trabajo. Si usa una herramienta, procedimiento, método de trabajo o técnica que no haya recomendado explícitamente Caterpillar, deberá asegurarse usted mismo de que es seguro para usted y para los demás. También deberá asegurarse de que está autorizado a realizar ese trabajo y de que el producto no sufrirá daños ni resultará peligroso debido a las tareas de funcionamiento, lubricación, mantenimiento o reparación que pretenda realizar.

La información, especificaciones e ilustraciones de este manual se basan en la información disponible en el momento de su redacción. Las especificaciones, pares, presiones, medidas, ajustes, ilustraciones y otros elementos pueden variar en cualquier momento. Estos cambios pueden afectar al mantenimiento del producto. Consiga la información más actualizada y completa antes de comenzar cualquier trabajo.


En los Estados Unidos, el mantenimiento, reemplazo o reparación de los dispositivos y sistemas de control de emisiones puede ser realizado por cualquier establecimiento de reparación o persona de la elección del propietario.

Este manual ofrece información sobre seguridad, operación y mantenimiento. El manual deberá guardarse cerca del producto. Lea atentamente el manual y guárdelo junto con el resto de la documentación del producto.

Cláusula arbitral del consumidor

La Garantía Limitada, incluida en esta Guía de Usuario, contiene términos legales importantes de manera enunciativa, más no limitativa, a la Cláusula Arbitral del Consumidor requiriendo el arbitraje individual obligatorio y renunciando al derecho de presentar demandas colectivas. Favor de leer cuidadosamente.

Advertencia: Proposición 65 del estado de California

 ADVERTENCIA
Este producto y los accesorios relacionados con él pueden exponerlo a químicos como el benceno, conocido por el estado de California como causante de cáncer y defectos de nacimiento u otros daños reproductivos. Para obtener más información, visite www.P65Warnings.ca.gov . Para reducir el riesgo de ser víctima de alguno de estos peligros para la salud, evite inhalar los humos del aceite, la gasolina y el escape del motor. Lávese las manos después de su uso.

Índice

Cláusula arbitral del consumidor.....	2
Advertencia: Proposición 65 del estado de California	2
AVISOS DE SEGURIDAD	5
Otros avisos	6
Batería (si está disponible).....	6
Requisitos especiales	7
MONTAJE	8
Montaje de los pies	8
Conjunto de la rueda.....	8
Conexión de la batería (si está disponible).....	8
Aceite	8
Soportes de carruaje.....	8
IDENTIFICACIÓN DE COMPONENTE	9
RP3600, RP5500 y RP6500	9
RP6500 E, RP7500 E y RP8000 E	9
Modelo de motor y número de serie	10
CONTROLES.....	11
Pantalla	11
Interruptor del generador	11
Estrangulador.....	11
CO DEFENSE™ y sistema de apagado (si está disponible).....	11
Interruptor de combustible	12
Arrancador retráctil.....	12
Interruptor de CA (corriente alterna)	12
Interruptor de circuito CSA (si procede)	12
Desconexión por bajo nivel de aceite	12
120 V CA, 20 A, doble.....	12
Toma RV	13
120 V CA y 120/240 V CA, 30 A, de bloqueo	13
OPERACIÓN DEL GENERADOR	13
Condiciones óptimas para el funcionamiento del generador.....	13
Conexión a la red eléctrica doméstica	13
Puesta a tierra del generador.....	13
Utilización con CA (corriente alterna)	14
Kits para altitudes elevadas	14
ANTES DE ARRANCAR EL MOTOR	14
Aceite de motor	14
Combustible	14
Inspección visual.....	14
ARRANQUE DEL MOTOR	15

Arranque con retroceso.....	15
Arranque eléctrico (si procede).....	15
PARAR EL MOTOR.....	15
MANTENIMIENTO.....	15
Comprobación del filtro de aire.....	15
Limpieza de la cabeza del cilindro.....	16
Comprobación del nivel de aceite de motor.....	16
Sustitución del aceite de motor.....	16
Inspección y ajuste del juego de las válvulas del motor.....	17
Sustitución del conducto de combustible.....	17
Limpieza del filtro y el tapón del depósito de combustible.....	17
Inspección del generador.....	17
Inspección/limpieza/sustitución del apagachispas.....	17
Inspección/ajuste/sustitución de la bujía.....	17
Batería (si está disponible) - inspección/sustitución.....	18
Inspección visual.....	18
ALMACENAMIENTO.....	19
Almacenamiento entre 1 y 3 meses.....	19
Almacenamiento por más de 3 meses.....	19
RESOLUCIÓN DE PROBLEMAS.....	20
ESPECIFICACIONES.....	21
DECLARACIÓN DE GARANTÍA DE LOS CONTROLES DE EMISIONES COMBINADAS DE ESCAPE Y DE EVAPORACIÓN.....	22
Derechos y obligaciones de la garantía.....	22
Cobertura de la garantía del fabricante.....	22
Responsabilidades del propietario.....	22
Requisitos para la garantía por defectos:.....	22
GARANTÍA.....	24
CLÁUSULA DE ARBITRAJE DEL CONSUMIDOR: OBLIGACIÓN DE ARBITRAJE INDIVIDUAL VINCULANTE EN VEZ DE JUICIO; RENUNCIA A DEMANDAS COLECTIVAS.....	24

AVISOS DE SEGURIDAD

En su generador encontrará diversos avisos específicos de seguridad. Familiarícese con todos estos avisos.

Asegúrese de que estos avisos de seguridad se puedan leer sin problemas. Mantenga los avisos de seguridad limpios y sustitúyalos cuando no sea posible leer el texto o ver los dibujos. Utilice un paño con agua y jabón para limpiarlos. No utilice disolventes, gasolina o productos químicos agresivos. Los disolventes, la gasolina o los productos químicos agresivos podrían desprender el adhesivo que sujeta los avisos de seguridad.

Si falta algún aviso de seguridad o está dañado, sustitúyalo. Si sustituye una pieza del generador que tiene un aviso de seguridad, coloque un nuevo aviso de seguridad en la pieza de repuesto.



Lea el manual

⚠️ ADVERTENCIA

No utilice ni realice trabajos en el generador sin antes haber leído y comprendido las instrucciones y advertencias de este manual de usuario. De lo contrario, podría sufrir lesiones incluso mortales. Es su responsabilidad actuar con cuidado.

Superficie caliente / No tocar / Material inflamable



⚠️ ADVERTENCIA

Las piezas o componentes calientes podrían causar quemaduras o lesiones. Las piezas o componentes calientes no deben entrar en contacto con su piel. Utilice ropa o equipos de protección para proteger su piel. El escape caliente representa un posible peligro de incendio. Asegúrese de que no haya ningún elemento inflamable a 1.5 metros o menos de distancia del escape.



Monóxido de carbono

⚠️ DANGER

Using a generator indoors CAN KILL YOU IN MINUTES.

Generator exhaust contains carbon monoxide. This is a poison you cannot see or smell.

NEVER use inside a home or garage, **EVEN IF** doors and windows are open.

Only use **OUTSIDE** and far away from windows, doors, and vents.

⚠️ DANGER

Utiliser un générateur à l'intérieur PEUT VOUS TUER EN QUELQUES MINUTES. Les gaz d'échappement du générateur contiennent du monoxyde de carbone. C'est un gaz toxique invisible et inodore.

- **NE JAMAIS** utiliser à l'intérieur d'une maison ou d'un garage, **MÊME** si les portes et les fenêtres sont ouvertes.
- Utiliser **UNIQUEMENT** à l'**EXTÉRIEUR** et loin des fenêtres, portes et ventilations.

⚠️ PELIGRO

Si usa un generador en interiores, **MORIRÁ EN POCOS MINUTOS**. El escape del generador contiene monóxido de carbono. Es un veneno que no tiene olor ni se puede ver.

- **NUNCA** lo use dentro de una casa o garaje. **AUN** si las puertas y ventanas están abiertas.
- Sólo úselo en **EXTERIORES** y lejos de ventanas, puertas y ductos de ventilación.

CO DEFENSE	⚠️ WARNING	⚠️ AVERTISSEMENT	⚠️ ADVERTENCIA
<p>CAUTION: CARBON MONOXIDE DETECTOR SYSTEM IS USED.</p> <p>STOP WORK IF ALERT FOR CARBON MONOXIDE DETECTOR SYSTEM.</p> <p>STOP WORK IF ALERT FOR CARBON MONOXIDE DETECTOR SYSTEM.</p>	<p>WARNING: CARBON MONOXIDE DETECTOR SYSTEM IS USED.</p> <p>CAUTION: CARBON MONOXIDE DETECTOR SYSTEM IS USED.</p> <p>STOP WORK IF ALERT FOR CARBON MONOXIDE DETECTOR SYSTEM.</p>	<p>ATTENTION: CARBON MONOXIDE DETECTOR SYSTEM IS USED.</p> <p>ATTENTION: CARBON MONOXIDE DETECTOR SYSTEM IS USED.</p> <p>STOP WORK IF ALERT FOR CARBON MONOXIDE DETECTOR SYSTEM.</p>	<p>ADVERTENCIA: CARBON MONOXIDE DETECTOR SYSTEM IS USED.</p> <p>ADVERTENCIA: CARBON MONOXIDE DETECTOR SYSTEM IS USED.</p> <p>STOP WORK IF ALERT FOR CARBON MONOXIDE DETECTOR SYSTEM.</p>

Si usa un generador en interiores podría morir en pocos minutos. El escape del generador contiene monóxido de carbono. El monóxido de carbono es un veneno que no tiene olor ni se puede ver. Nunca lo use dentro de una casa o garaje, aunque las puertas y ventanas estén abiertas. Úselo sólo en exteriores y lejos de ventanas, puertas y respiraderos. Verifique siempre que el escape del motor no esté en dirección a estructuras ocupadas. Si experimenta mareos, dolores de cabeza, náuseas o fatiga retírese inmediatamente para respirar aire fresco y busque atención médica. Ventile bien el área antes de volver a ocuparla.

El sistema de corte de monóxido de carbono no sustituye una operación segura del generador. No ajuste ni modifique el sistema de corte de monóxido de carbono. El incumplimiento de estas instrucciones podría ocasionar fallas en el sistema, las cuales podrían conllevar condiciones peligrosas.



Descarga eléctrica

PELIGRO

Peligro de descarga eléctrica o electrocución: No utilice ni realice trabajos en este equipo sin antes haber leído y comprendido las instrucciones y advertencias de este manual de usuario. De lo contrario, podría sufrir lesiones incluso mortales.

ADVERTENCIA

El funcionamiento de este equipo puede generar chispas que pueden provocar incendios en torno a vegetación seca. Puede requerirse un apagachispas. El operario debe ponerse en contacto con los organismos locales de bomberos para obtener información sobre las leyes o reglamentos relacionados con los requisitos de prevención de incendios.

ADVERTENCIA

La retroalimentación hacia el sistema de distribución de la red eléctrica puede ocasionar daños materiales y lesiones severas o mortales.

Advertencia de retroalimentación eléctrica. No conecte el generador al sistema eléctrico del edificio a menos que use un interruptor de aislamiento (transferencia) instalado por un electricista certificado y con licencia. Código CA H&S 119075 y 119080.

Batería (si está disponible)

PRECAUCIÓN

1. No exponga la batería a temperaturas superiores a 60 °c (140 °f).
2. No altere los terminales positivo (+) o negativo (-) ni produzca un cortocircuito de la batería de ninguna forma.
3. No permita que la carga de voltaje exceda los 40 voltios.
4. Si la batería se calienta al tacto, detenga la carga. Deje que la batería se enfríe antes de cargarla.
5. No abra, desarme ni modifique la batería en ninguna forma.
6. No conecte la batería a otras baterías de ninguna forma.
7. No descargue totalmente la batería. Esto podría dañar la batería o acortar su vida útil.
8. Si la batería se daña físicamente, existe el peligro de incendio.
9. El incumplimiento de estas instrucciones podría constituir un riesgo de explosiones, incendio o altas temperaturas.

Otros avisos

	No utilizar en condiciones de humedad
	No reabastecer cerca de llamas abiertas. No reabastecer con el motor encendido. No fumar durante el repostaje
	Mantenga un mínimo de distancia de 5 pies (1.5 metros) de otros objetos.
	Asegurarse de que la puesta a tierra del equipo es correcta.

Requisitos especiales

Los equipos eléctricos, incluyendo los cables y enchufes, deben taparse y protegerse de la humedad.

Los interruptores tienen que ser adecuados a las especificaciones del generador. Si hay que sustituir los interruptores, los interruptores de circuito nuevos deberán tener las mismas características técnicas. En todas las instalaciones de grupos electrógenos, el bastidor del generador debe estar puesto a tierra. Para ello cuenta con un borne de puesta a tierra.

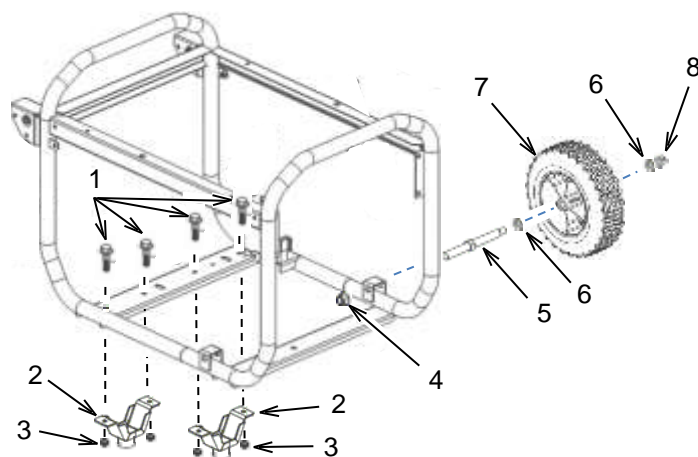
Los modelos RP5500, RP6500, RP6500 E, RP7500 E y RP8000 E cuentan con un conductor neutro fijo entre el devanado del estator y el bastidor. El RP3600 tiene un neutro flotante.

Para la toma doble de 120 V CA utilice cables alargadores de 125 V a 20 A como mínimo, para la tomacorriente de bloqueo de 120 V AC utilice cables alargadores de 125 V a 30 A como mínimo. Para 240 V CA utilice cables alargadores de 250 V a 30 A como mínimo. Utilice el cable de extensión más corto posible que cumpla con estas características.



-
- Utilice casco, lentes protectores y otros equipos de protección según sea necesario.
 - Si está trabajando cerca de un motor en funcionamiento, utilice protección auditiva para evitar daños en los oídos.
 - No lleve ropa holgada o joyas que se puedan quedar enganchadas en los controles u otras partes del motor.
 - Asegúrese de que todas las protecciones y cubiertas están correctamente colocadas en el motor.
 - No utilice recipientes de vidrio para los fluidos de mantenimiento. Los recipientes de vidrio podrían romperse.
 - Utilice con cuidado todos los productos de limpieza.

MONTAJE



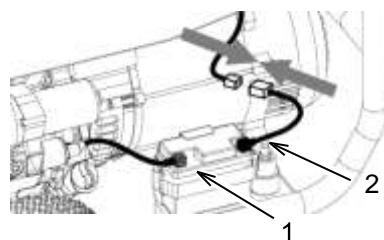
Montaje de los pies

1. Coloque el bastidor del equipo sobre bloques que permitan una distancia suficiente para instalar los pies y las ruedas.
2. Alinee los orificios de montaje del soporte para pies (2) con los orificios correspondientes del bastidor.
3. Inserte un perno de 8 mm (1) en cada par de orificios de montaje.
4. Coloque y apriete manualmente una tuerca (3) de 8 mm en cada perno.
5. Repita los pasos 2–4 para el otro pie.
6. Apriete las cuatro tuercas firmemente.

Conjunto de la rueda

1. Inserte el extremo corto del eje (5) en el soporte del bastidor.
2. Coloque una tuerca de 10 mm (4) en el eje y apriétela firmemente para asegurar el eje al bastidor.
3. Coloque una arandela grande (6) en el extremo largo del eje y coloque la rueda (7) con el diseño del perno hacia fuera.
4. Instale una arandela grande (6) en el eje.
5. Instale una contratuerca (8) de 10 mm en el eje y apriétela firmemente.
6. Repita los pasos 1–5 para la otra rueda.
7. Retire los bloques.

Conexión de la batería (si está disponible)



Los modelos RP6500 E, RP7500 E y RP8000 E vienen con una batería montada en el soporte correspondiente. Para conectar la batería:

1. El equipo viene con el cable positivo de la batería (1) previamente conectado.
2. Conecte el cable con el tapón negro (2) al otro cable con el conector.

Aceite

Siga las instrucciones de comprobación del nivel de aceite del motor para añadir la cantidad de aceite adecuada según las especificaciones.

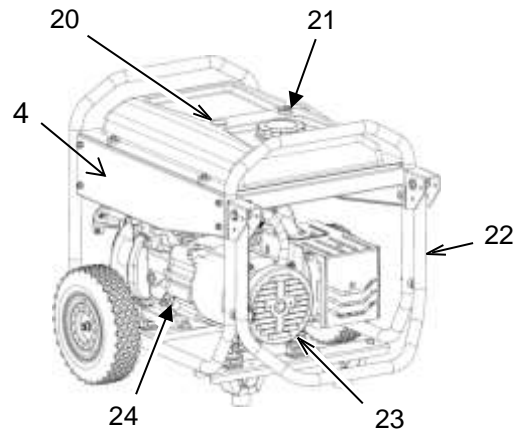
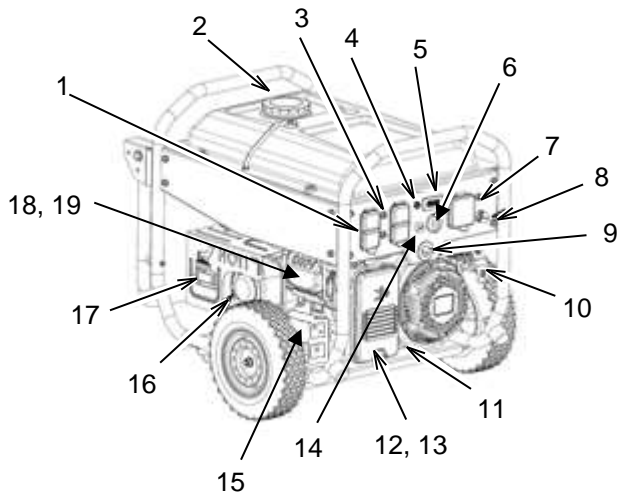
Soportes de carruaje

El generador tiene 2 soportes de carro rojos instalados debajo de la base para evitar daños causados por un manejo áspero durante el transporte.

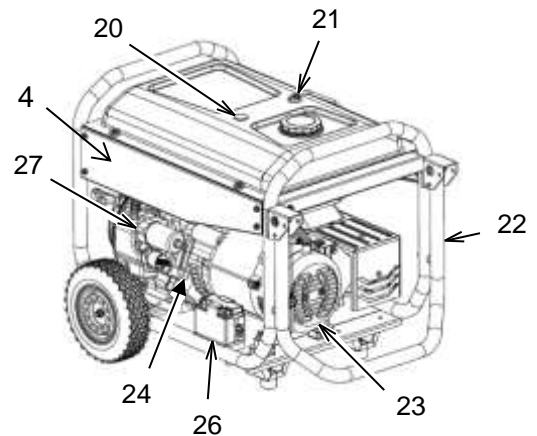
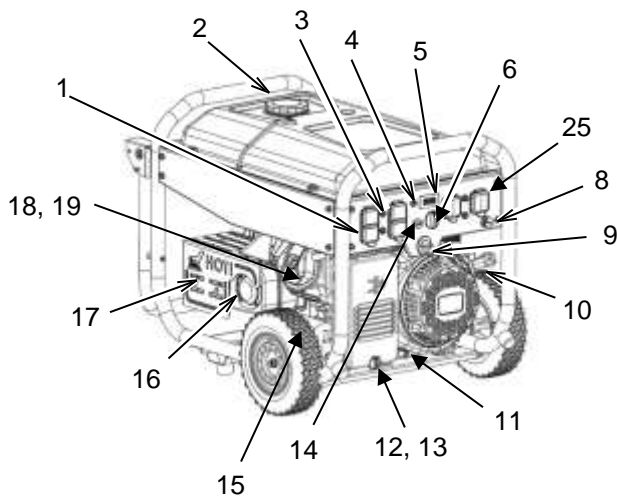
IMPORTANTE: Se deben quitar estos antes de utilizarlos, de lo contrario, la unidad vibrará excesivamente y se pueden producir daños.

IDENTIFICACIÓN DE COMPONENTE

RP3600, RP5500 y RP6500



RP6500 E, RP7500 E y RP8000 E

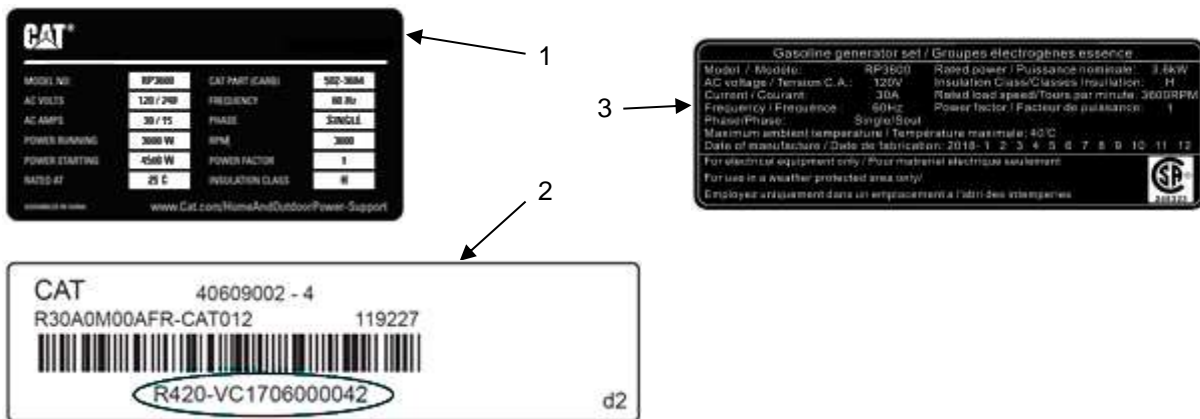
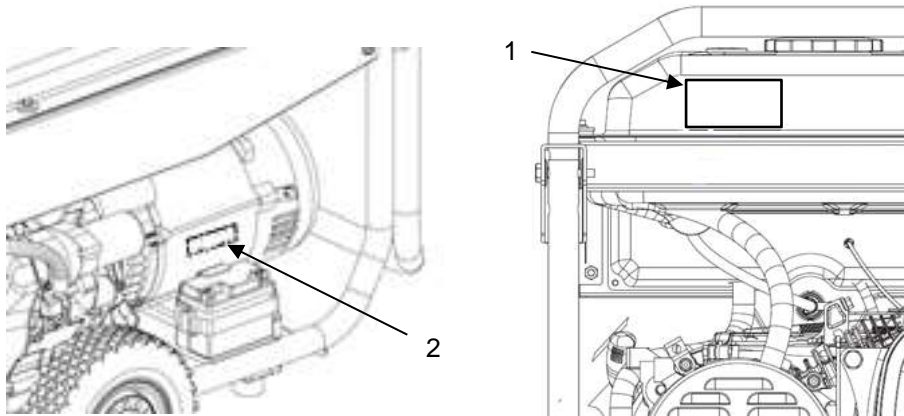


- 1) Toma doble de 120 V CA
- 2) Tapón del depósito de combustible
- 3) Interruptor
- 4) Detector de CO (si está disponible)
- 5) Pantalla
- 6) Interruptor del generador
- 7) Toma de 30 A 120 V CA RV*
Toma de 120/ 240 V CA de bloqueo+
- 8) Luz del panel
- 9) Válvula de combustible
- 10) Arranque con retroceso
- 11) Vaciado de aceite
- 12) Conjunto del filtro de aire
- 13) Filtro de aire
- 14) Perilla del estrangulador

- 15) Filtro de carbón activo (si procede)
- 16) Apagachispas
- 17) Silenciador
- 18) Motor
- 19) Bujía
- 20) Indicador de combustible
- 21) Tubo de aireación del depósito de combustible
- 22) Asa
- 23) Alternador
- 24) Indicador de aceite/lleñado de aceite
- 25) Toma de 120/240 V CA de bloqueo y toma de 120 V CA de bloqueo
- 26) Batería
- 27) Arrancador

*RP3600
+RP5500

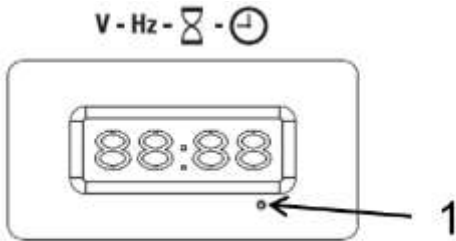
Modelo de motor y número de serie



Los generadores portátiles Cat® se identifican mediante números de modelo, números de serie y números de especificaciones de rendimiento. El número de modelo y las especificaciones de rendimiento están situados en la placa de potencia (1) o en la placa de potencia CSA (3). El número de serie está situado en la placa del número de serie (2).

CONTROLES

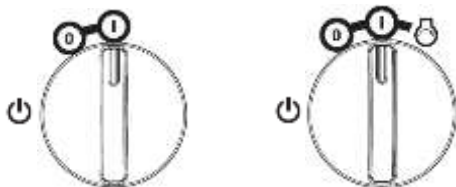
Pantalla



El generador cuenta con una pantalla que indica la tensión, frecuencia, horas totales de servicio y horas actuales. Con el selector de palanca (1), puede alternar entre las diferentes lecturas que se muestran en la pantalla para obtener la configuración deseada.

La pantalla mostrará 3 mensajes de mantenimiento durante su funcionamiento: P-25 se muestra después de las primeras 25 horas de funcionamiento para recordar al usuario que debe cambiar el aceite de motor. P-50 se muestra cada 50 horas para recordar al usuario para revisar el filtro de aire y el apagachispas. P-100 se muestra cada 100 horas para recordar al usuario que debe cambiar el aceite de motor y revisar la bujía. Estos códigos se desvanecen después de 6 minutos de uso.

Interruptor del generador



Interruptor del generador (arranque con cuerda)

Interruptor del generador (arranque eléctrico)

Para arrancar manualmente el generador, gire el interruptor del generador a la posición de encendido "I" antes del arranque. En los modelos con arranque eléctrico, gire el interruptor del generador a la posición de arranque "E". Para apagar el generador, gire el interruptor a la posición de apagado "0".

Estrangulador



El estrangulador se usa para aumentar la proporción de combustible en el arranque en frío del motor. Si el motor está frío, jale la perilla del estrangulador antes de arrancar. Cuando el motor ya esté en funcionamiento, empuje lentamente la perilla hacia adentro.

CO DEFENSE™ y sistema de apagado (si está disponible)



CO DEFENSE	⚠ WARNING	⚠ AVERTISSEMENT	⚠ ADVERTENCIA
<p>CO DEFENSE MONITORS CO MONOXIDE DETECTION SYSTEM IN USE.</p> <p>CO DEFENSE MONITORING SYSTEM FOR DETECTION OF CARBON MONOXIDE IN SERVICE.</p> <p>SYSTEME DE COTE DE MONITORING DE CARBON MONOXIDE EN SERVICE.</p> <p>MONITORING SYSTEM FOR DETECTION OF CARBON MONOXIDE IN USE.</p> <p>MONITORING SYSTEM FOR DETECTION OF CARBON MONOXIDE IN USE.</p> <p>MONITORING SYSTEM FOR DETECTION OF CARBON MONOXIDE IN USE.</p>	<p>FLAMING RED INDICATOR - AUTOMATIC SHUTOFF EVENT. FOR MOST CO DEFENSE MONITORS, the system will automatically shut off the generator to prevent CO poisoning. See the manual for more information. See the manual for more information. See the manual for more information.</p> <p>NEVER TO FRESH AIR AND GET MEDICAL HELP IF YOU FEEL SICK, DIZZY OR WEAK.</p> <p>CONVERTIR NARANJA INDICADOR A VERDE PARA CONTACTAR AL SERVICIO.</p> <p>CONVERTIR NARANJA INDICADOR A VERDE PARA CONTACTAR AL SERVICIO.</p> <p>CONVERTIR NARANJA INDICADOR A VERDE PARA CONTACTAR AL SERVICIO.</p>	<p>VOYANT ROUGE CLIGNOTANT - ÉVÉNEMENT CONTENANT UN ARRÊT AUTOMATIQUE. POUR LA MAJORITÉ DES MONITEURS CO DEFENSE, le système s'arrête automatiquement pour éviter l'intoxication au monoxyde de carbone. Consultez le manuel pour plus d'informations. Consultez le manuel pour plus d'informations. Consultez le manuel pour plus d'informations.</p> <p>NE PAS ALLER À L'AIR FRAIS ET OBTENIR UN SOUS-SECRS MÉDICAL SI VOUS VOUS SENTEZ MAL, ÉTOURDI OU FAIBLE.</p> <p>CONVERTIR NARANJA INDICADOR A VERDE PARA CONTACTAR AL SERVICIO.</p> <p>CONVERTIR NARANJA INDICADOR A VERDE PARA CONTACTAR AL SERVICIO.</p> <p>CONVERTIR NARANJA INDICADOR A VERDE PARA CONTACTAR AL SERVICIO.</p>	<p>EL INDICADOR ROJO PARMARCA UN EVENTO DE APAGADO AUTOMÁTICO. VEASE EL MANUAL PARA MÁS INFORMACIÓN. VEASE EL MANUAL PARA MÁS INFORMACIÓN. VEASE EL MANUAL PARA MÁS INFORMACIÓN.</p> <p>NO VAYA A UN LUGAR AL FRESCO Y BUSQUE ATENCIÓN MÉDICA SI SE SIENTE MAL, MAREADO O DÉBIL.</p> <p>CONVERTIR NARANJA INDICADOR A VERDE PARA CONTACTAR AL SERVICIO.</p> <p>CONVERTIR NARANJA INDICADOR A VERDE PARA CONTACTAR AL SERVICIO.</p> <p>CONVERTIR NARANJA INDICADOR A VERDE PARA CONTACTAR AL SERVICIO.</p>

El sistema de CO DEFENSE monitorea la acumulación de monóxido de carbono mientras el generador está en funcionamiento y apaga el motor si se alcanza un nivel peligrosamente alto. El CO DEFENSE de este generador no sustituye a las alarmas interiores de CO.

Siempre que el CO DEFENSE haya apagado el motor, habrá una luz en el panel de control que indique el motivo. Lea la etiqueta de acción de CO (mostrada anteriormente) para determinar qué pasos tomar.

Si la luz del CO DEFENSE parpadea en rojo, salga inmediatamente del área y vaya a un área abierta en el exterior. Ventile bien el área antes de volver a ocuparla. Asegúrese de que el generador esté ubicado en un área abierta en el exterior con el escape dirigido hacia el lado opuesto de las estructuras ocupadas. Si experimenta mareos, dolores de cabeza, náuseas o fatiga retírese inmediatamente para respirar aire fresco y busque atención médica.

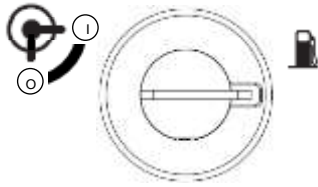
Si la luz del CO DEFENSE se muestra fija en color naranja, ha ocurrido una falla en el Sistema, o está indicando que ha llegado al final de su vida. La falla solo puede ser diagnosticada y reparada por un proveedor autorizado.

El CO DEFENSE monitorea la acumulación de CO de todas las fuentes que existen en el área alrededor del generador. Si la luz del CO DEFENSE parpadea en rojo, no se trata de un error y se deben tomar medidas de seguridad inmediatamente.

Nota: Evite manipular el CO DEFENSE, ya que esto puede conllevar condiciones peligrosas.

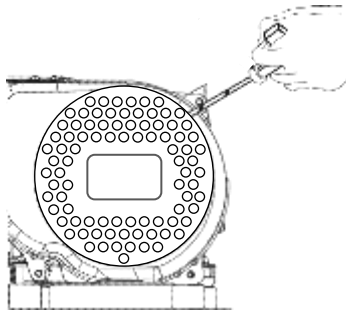
Nota: No se debe operar el generador en temperaturas ambiente que superen los 131 °F (55 °C), ya que esto puede dañar el CO DEFENSE.

Interruptor de combustible



El interruptor de combustible controla el caudal de combustible desde el depósito de combustible al carburador. Coloque el interruptor en la posición de encendido "I" antes de encender el motor. Gire el interruptor a la posición de apagado "O" después de apagar el motor.

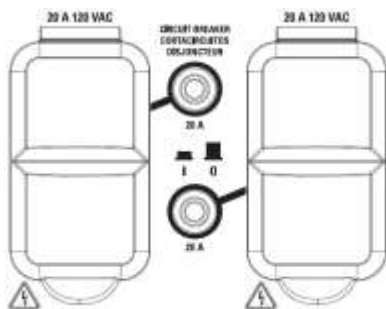
Arrancador retráctil



Para arrancar el motor, tire lentamente de la palanca de arranque hasta que note cierta resistencia, luego tire rápidamente hasta el final.

No deje que la palanca vuelva bruscamente hacia el motor. Regrésela cuidadosamente para evitar daños en el arrancador.

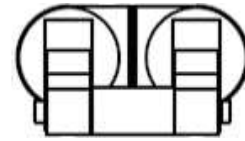
Interruptor de CA (corriente alterna)



El generador está equipado con interruptores que protegen el equipo y la carga de posibles cortocircuitos o sobrecargas. Si el interruptor se abre, determine por qué se ha disparado antes de volver a cerrarlo.

Interruptor de circuito CSA (si procede)

Encendido



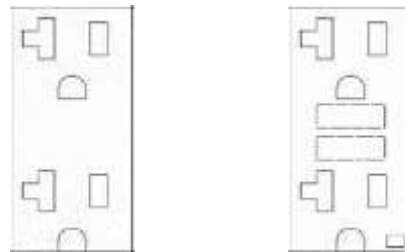
Apagado

Los generadores portátiles de 240 V vendidos en Canadá cuentan con un interruptor adicional que aísla todas las tomas del panel. Este interruptor tiene que estar en la posición de encendido "On" para que el equipo reciba energía.

Desconexión por bajo nivel de aceite

El generador cuenta con un sistema de desconexión por bajo nivel de aceite, diseñado para proteger el motor frente a los posibles daños causados por una cantidad insuficiente de aceite en el cárter. Cuando el nivel de aceite del cárter caiga por debajo del límite de seguridad, el sistema de desconexión por bajo nivel de aceite apagará el motor de inmediato.

120 V CA, 20 A, doble



La toma doble de 120 V CA tiene un botón de protección contra sobrecargas de 20 A que permite restablecer el interruptor. Y brinda protección a través de un interruptor de circuito con descarga a tierra (GFCI, por sus siglas en inglés) con solo presionar el botón de Prueba y reajuste (RP5500, RP6500, RP6500 E, RP7500 E, RP8000 E). Utilice la toma para alimentar una carga eléctrica NEMA 5-20, de 120 V CA, monofásica, 60 Hz que requiera de una corriente de 20 A.

Utilice solo cables de 3 alambres conectados a tierra, debidamente aislados de 125 V a 20 A (o más). Asegúrese de que los cables de extensión sean lo más cortos posible (menos de 15 pies) para evitar caídas de voltaje y el sobrecalentamiento de los alambres.

Toma RV



La tomacorriente de 120 V CA RV tiene un botón de protección contra sobrecargas de 30 A que permite restablecer el interruptor. Utilice un enchufe NEMA TT-30 (de 120 V CA) con esta toma. Utilice la toma para alimentar una carga eléctrica de 120 V CA, monofásica, de 60 Hz.

120 V CA y 120/240 V CA, 30 A, de bloqueo



La tomacorriente de bloqueo de 120 V CA y 120/240 V CA son protegida contra sobrecargas por interruptores de restablecimiento:

	Interruptor Individual	Interruptor Principal
RP5500		23 A
RP6500		28 A
RP6500 E		28 A
RP6500 E CSA		27 A *
RP7500 E	30 A	31 A
RP7500 E CSA		30 A *
RP8000 E	30 A	33 A

*Doble polo

Use un enchufe NEMA L5-30 (salidas de 120 V CA) o NEMA L14-30 (salidas de 120/240 V CA) con este receptáculo (gírelo para bloquearlo o desbloquearlo).

Utilice las tomas para alimentar una carga eléctrica de 120 V CA, monofásica, de 60 Hz o una de 240 V CA, monofásica, de 60 Hz.

OPERACIÓN DEL GENERADOR

Condiciones óptimas para el funcionamiento del generador

- Temperatura: de 23 °F a 104 °F (-5 °C a 40 °C)
- Humedad inferior a 95%
- Altura por encima del nivel del mar: < 3000 pies (900 m). Si la altura del área operativa es 900 metros o más, la salida de energía se verá reducida.

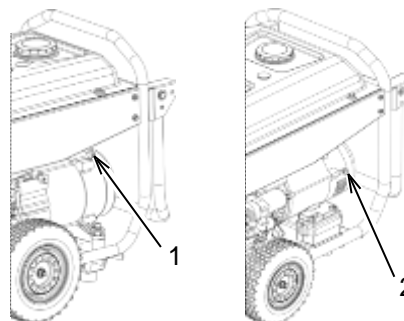
Las condiciones de funcionamiento estándar son 77 °F (25 °C) y una humedad del 40%. La potencia del generador puede disminuir debido a distintas condiciones ambientales y otros factores como la calidad del combustible.

Conexión a la red eléctrica doméstica

Este generador se deberá instalar cumpliendo con la normativa local y los códigos eléctricos aplicables. El generador tiene que aislarse de la red eléctrica y un electricista calificado deberá verificar la conexión.

Puesta a tierra del generador

La ley sobre instalaciones eléctricas exige que los generadores estén puestos a tierra mediante una toma autorizada. La puesta a tierra correcta del generador es necesaria para que el motor funcione de forma óptima y se reduzca el riesgo de descarga eléctrica. Utilice la terminal de puesta a tierra para poner a tierra el generador de forma adecuada. Antes de utilizar la terminal de puesta a tierra, acuda con un electricista calificado, un inspector eléctrico o una autoridad local que tenga jurisdicción sobre los códigos u ordenanzas locales que apliquen al uso previsto del generador.



1. Puesta a tierra del RP3600
2. Puesta a tierra de RP5500, RP6500, RP6500 E, RP7500 E, RP8000 E

Utilización con CA (corriente alterna)

NO sobrecargue el generador. Si se supera la potencia nominal del generador, este o los equipos eléctricos conectados podrían sufrir daños.

Los equipos a motor requieren una corriente de arranque elevada. Asegúrese de que la potencia total requerida por estos tipos de carga no supera la potencia nominal del generador.

Cuando se utilice el generador para alimentar diversas cargas o dispositivos eléctricos, comience conectando el aparato que requiera la potencia de arranque más elevada, seguido de la segunda mayor potencia y finalizando con la más baja.

Kits para altitudes elevadas

A altitudes elevadas, la mezcla estándar de aire y combustible es demasiado rica y provoca un mayor consumo de combustible y un menor rendimiento. Una mezcla rica también ensuciará la bujía y dificultará el arranque. La utilización del generador a altitudes elevadas durante períodos de tiempo largos puede aumentar las emisiones. Al instalar un kit para altitudes elevadas se garantiza el funcionamiento correcto. Los kits para altitudes elevadas deben ser instalados por técnicos calificados. Póngase en contacto con un servicio técnico autorizado si el generador portátil se va a utilizar a altitudes superiores a 3000 pies (0.9 km) por encima del nivel del mar.

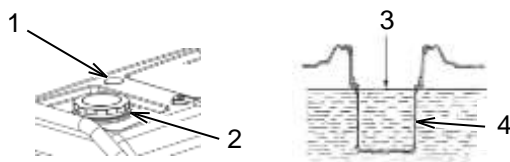
Nota: En altitudes superiores a 8000 pies por encima del nivel del mar, el rendimiento del motor puede verse reducido aunque esté instalado el kit para altitudes elevadas.

ANTES DE ARRANCAR EL MOTOR

Aceite de motor

Compruebe el nivel de aceite antes de cada uso. Consulte el procedimiento "Comprobación del nivel de aceite de motor" de este manual.

Combustible



1. Revise el indicador de nivel de combustible (1).
2. Si el nivel de combustible es bajo, quite el tapón del depósito de combustible (2)
3. Revise el filtro. Si el filtro se encuentra sucio, límpielo. Consulte las instrucciones en "Limpieza del filtro y el tapón del depósito de combustible".
4. Añada combustible. Se recomienda utilizar un estabilizador de combustible ya que es posible que el equipo no se utilice durante largos períodos de tiempo.
5. Cuando termine de añadir combustible, vuelva a colocar el tapón del tanque.

Para evitar cualquier tipo de lesión, tome siempre estas medidas de precaución cuando añada combustible:

- Añada el combustible en un área bien ventilada.
- El motor tiene que estar detenido antes de repostar.
- El motor tiene que haberse enfriado antes de repostar.
- No fume mientras añade combustible al generador.
- No añada combustible al generador cerca de llamas abiertas o chispas.
- No añada combustible por encima de la línea de llenado (3).
- Evite el contacto prolongado o repetido con la piel
- Evite respirar los vapores de combustible durante mucho tiempo.

Para evitar daños en el generador:

- Utilice gasolina sin plomo con un octanaje mínimo de 86.
- No mezcle aceite con la gasolina.
- No utilice gasolina con más de un 10% de etanol.
- No utilice gasolina vieja.
- Evite la entrada de suciedad o agua en el depósito de combustible.

Inspección visual

Antes de cada uso, realice una inspección visual tal y como se indica más adelante.

ARRANQUE DEL MOTOR

Arranque con retroceso

1. Aísle el generador de la red eléctrica
2. Desenchufe cualquier equipo eléctrico conectado a las tomas.
3. Coloque el interruptor de combustible en la posición de encendido "I".
4. Ponga los interruptores de CA en la posición de apagado posición "0" (solo modelos CSA).
5. Si el motor está frío, tire de la perilla del estrangulador.
6. Gire el interruptor del generador a la posición de encendido "I".
7. Tire lentamente de la palanca de arranque hasta que note cierta resistencia; luego tire rápidamente hasta el final. Si el motor no arranca, repita el paso 7 hasta conseguirlo.
8. Cuando el motor ya esté caliente, empuje la perilla del estrangulador hacia dentro.
9. Coloque el interruptor de CA en la posición de encendido "I".

Arranque eléctrico (si procede)

1. Aísle el generador de la red eléctrica.
2. Desenchufe cualquier equipo eléctrico conectado a las tomas.
3. Coloque el interruptor de combustible en la posición de encendido "I".
4. Ponga los interruptores de CA en la posición de apagado "0" (solo modelos CSA).
5. Si el motor está frío, tire de la perilla del estrangulador.
6. Gire el interruptor del generador a la posición de arranque "I" y manténgalo ahí hasta que el motor arranque.

NOTA: No mantenga el interruptor del generador en la posición de arranque "I" durante más de 5 segundos. Si mantiene el interruptor del generador en la posición de arranque "I" durante más de 5 segundos, se producirán daños en el arrancador. Si el motor no arranca, espere 10 segundos antes de volver a intentarlo.

7. Después de haber encendido el motor, suelte inmediatamente el interruptor del generador para que vuelva automáticamente a la posición de encendido "I".
8. Cuando el motor ya esté caliente, empuje la perilla del estrangulador hacia dentro.
9. Coloque el interruptor de CA en la posición de encendido "I".

PARAR EL MOTOR

1. Desconecte el generador y desenchufe todos los equipos eléctricos.
2. Ponga los interruptores de CA en la posición de apagado "0" (solo modelos CSA).
3. Coloque el interruptor del generador en

la posición de apagado "0".

4. Coloque el interruptor de combustible en la posición de apagado "0".

Nota: Para detener el motor en caso de emergencia, gire el interruptor del generador a la posición de apagado "0".

MANTENIMIENTO

Asegúrese de haber leído y comprendido toda la información de seguridad, advertencias e instrucciones antes de realizar cualquier tarea de mantenimiento.

Utilice las horas de servicio o los días del calendario, **EL PLAZO QUE VENZA PRIMERO**, para determinar los intervalos correctos de mantenimiento.

Detenga el motor antes de realizar el mantenimiento. Ponga el motor en posición horizontal y quite el tapón de la bujía para impedir que el motor arranque. No utilice el motor en una sala sin ventilación o recinto cerrado.

Cuando sea necesario:

Limpieza del filtro y el tapón del depósito de combustible

Con cada uso:

Comprobación del nivel de aceite de motor
Inspección visual

Primeras 25 horas de servicio o 1 mes:

Sustitución del aceite de motor

Cada mes:

Inspección del generador

Cada 50 horas de servicio o 3 meses:

Comprobación del filtro de aire
Inspección/limpieza/sustitución del apagachispas

Cada 100 horas de servicio o 6 meses:

Sustitución del aceite de motor
Inspección/ajuste/sustitución de la bujía

Cada 300 horas de servicio o 1 año:

Escobilla de carbono: inspeccionar/ reparar/ reemplazar
Limpieza de la cabeza del cilindro
Comprobación del juego de las válvulas del motor

Cada 2 años:

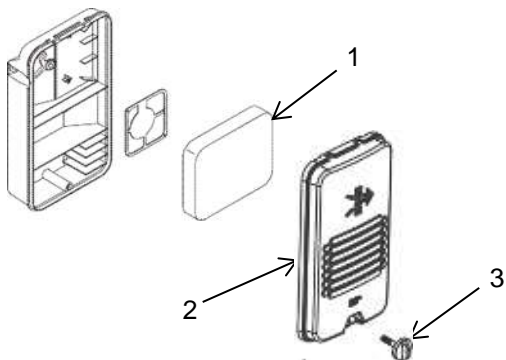
Sustitución del conducto de combustible

NOTA: Solamente utilice piezas originales Caterpillar.

Comprobación del filtro de aire

Un filtro de aire sucio limitará el flujo de aire en el carburador, provocará un ahorro insuficiente de combustible y puede dañar el motor. Para mantener el generador en buenas condiciones de servicio, realice el mantenimiento del filtro de aire de manera regular. Realice el mantenimiento con mayor frecuencia si el generador se utiliza en entornos con mucho polvo.

Nota: Nunca utilice el generador si el filtro de aire no está colocado. Utilizar el generador sin el filtro de aire aceleraría el desgaste del motor.



Quite el perno de la cubierta del filtro de aire (3) y la cubierta del filtro de aire (2). Verifique que el filtro de aire (1) está limpio y sin daños. Si el filtro de aire está sucio, lávelo. Si el filtro de aire está dañado, sustitúyalo.

Lave el filtro con un solvente no inflamable o con una mezcla de detergente doméstico y agua tibia. Enjuague bien el filtro para eliminar totalmente el producto de limpieza. Cuando el filtro se haya secado, aplíquelo un poco de aceite de motor. Apriete entonces el filtro para distribuir el aceite uniformemente y eliminar el exceso de aceite.

Nota: No saque el filtro. Si lo hace, el filtro podría resultar dañado.

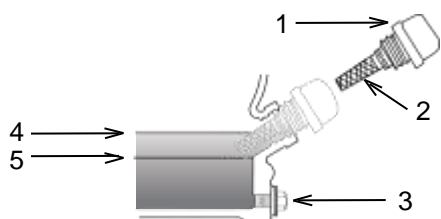
Coloque el filtro en su carcasa. Coloque la cubierta del filtro de aire sobre el filtro y vuelva a poner el perno.

Limpeza de la cabeza del cilindro

Esta tarea de mantenimiento solamente debe ser realizada por personal calificado. Póngase en contacto con su servicio técnico para programar este mantenimiento.

Comprobación del nivel de aceite de motor

Compruebe el aceite de motor siempre con el generador sobre una superficie plana y el motor parado.



1. Quite el tapón del orificio de llenado de aceite (1) y limpie el indicador de nivel de aceite (2) con un paño.

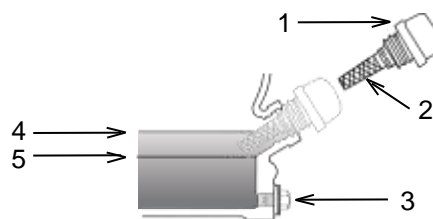
2. Compruebe el nivel de aceite introduciendo el medidor de aceite en el cuello del orificio de llenado. No enrosque el tapón mientras comprueba el nivel de aceite.
3. Si el nivel de aceite es bajo (5), añada el aceite de motor recomendado hasta que el nivel alcance la marca superior (4) del indicador. Utilice la siguiente tabla para determinar la viscosidad del aceite.

Viscosidad recomendada del lubricante a temperatura ambiente				
Viscosidad del aceite	°C		°F	
	Mín.	Máx.	Mín.	Máx.
SAE 0W-40	-40	40	-40	104
SAE 5W-40	-30	50	-22	122
SAE 10W-30	-18	40	0	104
SAE 15W-40	-10	50	14	122

4. Cuando haya terminado de añadir aceite, coloque el tapón y apriételo.

Nota: Los aceites de motor sin detergentes y para motores de 2 tiempos no deben utilizarse, ya que causan daños en el motor.

Sustitución del aceite de motor



1. Ponga el motor en funcionamiento hasta que alcance su temperatura normal de servicio. Detenga el motor y recoja el aceite usado con un recipiente adecuado.
2. Quite el tapón del orificio de llenado de aceite (1) y el tapón de vaciado (3) para drenar el aceite.
3. Vuelva a colocar el tapón de vaciado y apriete a 18 ± 2 lb ft (24 ± 3 Nm).
4. Añada aceite nuevo y compruebe el nivel de aceite. Consulte el apartado "Comprobación del nivel de aceite de motor".
5. Coloque el tapón del orificio de llenado y apriételo.
6. Deseche adecuadamente el aceite utilizado.

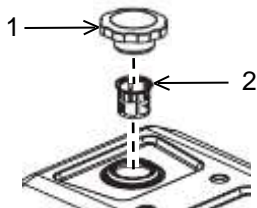
Inspección y ajuste del juego de las válvulas del motor

Esta tarea de mantenimiento solamente debe ser realizada por personal calificado. Póngase en contacto con su servicio técnico para programar este mantenimiento.

Sustitución del conducto de combustible

Esta tarea de mantenimiento solamente debe ser realizada por personal calificado. Póngase en contacto con su servicio técnico para programar este mantenimiento.

Limpeza del filtro y el tapón del depósito de combustible



Limpe el tapón del depósito de combustible (1) y la zona alrededor del mismo antes de quitarlo. Esto reduce la cantidad de contaminantes que entran al sistema de combustible.

Si se han acumulado residuos en el filtro de combustible (2), quite el filtro y enjuáguelo. Deje que el filtro se seque antes de volver a colocarlo.

Inspección del generador

Arranque el motor una vez al mes y espere a que alcance la temperatura normal de servicio (unos 20 minutos). Enchufe un equipo con cable y encienda el equipo para asegurarse de que el generador suministra energía. Cuando haya verificado que el generador suministra energía, apague el equipo y desenchúfelo. A continuación apague el generador.

Inspección/limpieza/sustitución del apagachispas

El generador cuenta con un apagachispas situado en la salida de escape del silenciador. El apagachispas se limpia con un cepillo de alambre suave cada 50 horas de servicio o 3 meses de uso. El apagachispas debe sustituirse cada 100 horas de servicio o antes si se encuentra dañado.

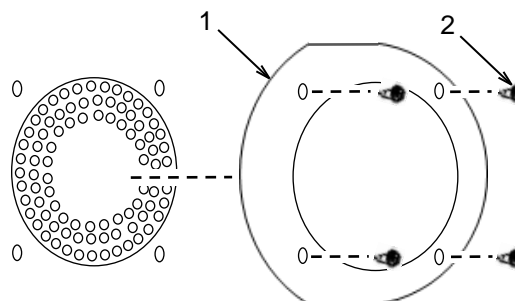


Superficies calientes

ADVERTENCIA

Las piezas o componentes calientes podrían causar quemaduras o lesiones. Las piezas o componentes calientes no deben entrar en contacto con la piel. Utilice ropa o equipos de protección para proteger la piel.

NO realice esta tarea de mantenimiento hasta que el silenciador se haya enfriado.

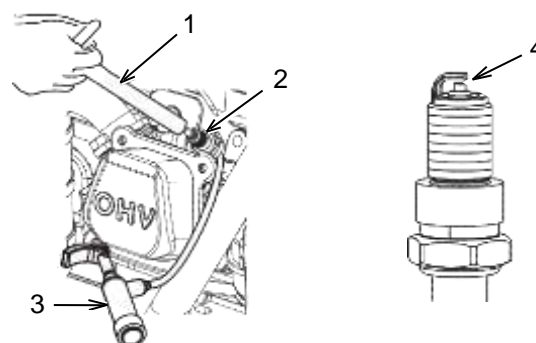


Quite los tornillos (2). Quite el apagachispas (1) y compruébelo. Limpe con cuidado el apagachispas utilizando un cepillo de alambre suave. Reemplace el apagachispas si está dañado.

Para colocar el apagachispas, alinee los orificios de montaje del apagachispas con los orificios del silenciador. Inserte los tornillos (2) y apriete con firmeza.

Inspección/ajuste/sustitución de la bujía

Consulte el apartado "Especificaciones" de este manual para determinar el número de referencia correcto de la bujía y la distancia entre electrodos correspondiente a su generador.



1. Quite el panel lateral.
2. Quite el tapón de la bujía (3).
3. Utilice la llave de bujías (1) para quitar la bujía.
4. Compruebe visualmente si la bujía está

dañada. Si el aislante tiene fisuras, sustituya la bujía. Si el electrodo está dañado, sustituya la bujía.

5. Mida la distancia entre electrodos (4) con una galga de espesores. Ajuste la distancia según sea necesario doblando con cuidado el electrodo. Consulte la distancia correcta de su equipo en el apartado "Especificaciones".
6. Compruebe que la arandela de la bujía está en buen estado. Si la arandela está dañada, sustitúyala.
7. Coloque la bujía y apriete a 16 ± 2 lb ft (22 ± 2 Nm). NO utilice un par de apriete mayor ya que dañaría el motor.

Batería (si está disponible) - inspección/sustitución

Si el voltaje de batería está por debajo de 12,8 voltios, cargue la batería. El voltaje de carga continua máxima recomendada es de 15 voltios.

Si no es posible encender el motor con la batería, aun después de haberla cargado, verifique que las terminales de la batería sean seguras y estén libres de corrosión.

En caso de que sea necesario cambiar la batería:

1. **Primero**, desconecte el cable negativo (-).
2. **Después**, desconecte el cable positivo (+).

Para instalar una nueva batería:

3. **Primero**, conecte el cable positivo (+).
4. **Después**, conecte el cable negativo (-).

NOTA: Utilice solamente piezas originales de Caterpillar.

PRECAUCIÓN - PELIGRO DE EXPLOSIÓN SI LA BATERÍA SE CAMBIA DE MANERA INCORRECTA; SOLAMENTE PUEDE REEMPLAZARLA POR OTRA IGUAL O EQUIVALENTE.

La batería usada se debe reciclar de acuerdo con sus leyes locales.

Inspección visual

Inspeccione visualmente el equipo antes de arrancar el motor. Compruebe:

- Nivel de aceite adecuado
- Nivel de combustible adecuado
- Buena calidad de combustible
- Fugas de fluidos
- Abrazaderas sueltas
- Pernos sueltos
- Grietas en el conducto de combustible
- Cables sueltos o deshilachados
- Residuos acumulados

Asegúrese también de que:

- El borne de puesta a tierra está conectado adecuadamente.
- Los interruptores están en la posición de apagado "0"

ALMACENAMIENTO

Cuando un generador se encuentra en almacenamiento, puede condensarse humedad en los devanados. Para minimizar la condensación, guarde siempre el generador en un lugar seco. Tape el generador con una cubierta protectora que llegue al suelo. Esta cubierta debe quedar floja alrededor del generador para permitir una ventilación adecuada.

No se debe almacenar el generador en temperaturas ambiente que superen los 131 °F (55 °C), ya que esto puede dañar el detector de CO (si está disponible).

Almacenamiento entre 1 y 3 meses

Elimine cualquier suciedad, óxido, grasa o aceite del generador. NO utilice una hidrolimpiadora para limpiar el generador. Compruebe el exterior. Realice las reparaciones necesarias.

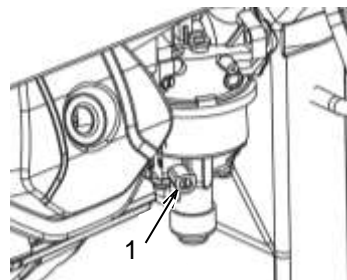
Añada estabilizador de combustible al depósito de combustible para evitar el deterioro de la gasolina. Arranque el motor y déjelo funcionar durante 10 minutos para asegurarse de que el estabilizador de combustible ha llegado al carburador. Apague el motor y espere a que se enfríe.

Coloque la válvula de combustible en la posición de apagado "O".

Coloque el generador en el lugar donde será almacenado. Tape el generador.

Almacenamiento por más de 3 meses

Elimine cualquier suciedad, óxido, grasa o aceite del generador. NO utilice una hidrolimpiadora para limpiar el generador. Compruebe el exterior. Realice las reparaciones necesarias.



⚠ ADVERTENCIA

La gasolina es extremadamente inflamable y explosiva en determinadas circunstancias. Vacíe el combustible en una zona bien ventilada con el motor parado y frío. Nunca fume durante este proceso y evite las llamas abiertas o chispas en la zona.

Asegúrese de que la válvula de combustible está en la posición de encendido "I". Quite el tapón del depósito de combustible y el tapón de vaciado (1) de la taza del carburador y drene el combustible en un recipiente adecuado. NO guarde el combustible para volver a usarlo con el generador. Cuando haya drenado todo el combustible, coloque el tapón de vaciado en el carburador. Coloque la válvula de combustible en la posición de apagado "O". Aplique una pequeña cantidad de aceite en la rosca del cuello de llenado del depósito de combustible y coloque el tapón.

Sustituya el aceite de motor.

Quite la bujía y aplique una pequeña cantidad de aceite en el cilindro. Coloque la bujía pero sin colocarle el tapón. Jale 3 veces la palanca de arranque para distribuir el aceite por las paredes del cilindro.

Retire la batería y guárdela. Compruebe la batería periódicamente y cárguela cuando sea necesario.

Coloque el generador en el lugar donde será almacenado. Tape el generador.

RESOLUCIÓN DE PROBLEMAS

Problema:	Posible causa:	Solución:	Comprobación:
El motor no arranca	El interruptor del generador está en la posición de apagado "0"	Coloque el interruptor del generador en la posición correcta.	Arranque el motor.
	Perilla del estrangulador en posición incorrecta	Coloque la perilla del estrangulador en la posición correcta.	
	No hay combustible	Rellene el depósito de combustible.	
	Combustible contaminado o de mala calidad	Compruebe el combustible.	
	Aceite insuficiente en el motor	Compruebe el nivel de aceite. Si es bajo, añada aceite recomendado.	
	Filtro de aire sucio	Limpie el filtro de aire.	
	No hay combustible en el carburador	Asegúrese de que el interruptor de combustible está en la posición de encendido "I".	
	Motor ahogado	Espere 5 minutos.	
	No hay chispa	Sustituya la bujía.	
	Para el arranque eléctrico del motor, utilice el arrancador retráctil.	Si el generador arranca, compruebe la batería. Si la batería suministra menos de 12.4 V, sustitúyala.	
Si aún así el motor no arranca:	Lleve el equipo a un servicio técnico autorizado.		
El motor funciona forzado (sin carga)	Filtro de aire sucio	Pare el motor y compruebe el filtro de aire. Límpielo en caso de ser necesario.	Arranque el motor y compruebe si corre con dificultad.
	Perilla del estrangulador en posición incorrecta	Coloque la perilla del estrangulador en la posición correcta.	
	Si el motor continúa corriendo con dificultad:	Lleve el equipo a un servicio técnico autorizado.	
El motor se apaga	No hay combustible	Compruebe el combustible. Llene el tanque en caso de ser necesario.	Arranque el motor y compruebe si se apaga.
	Aceite insuficiente en el motor	Compruebe el nivel de aceite. Si es bajo, añada aceite recomendado.	
	Filtro de aire sucio	Limpie el filtro de aire.	
	Sobrecarga del generador	Desenchufe alguno de los equipos.	
	Apagado debido a acumulación de CO e indicador parpadeando en rojo	Siga todas las instrucciones de seguridad indicadas en la etiqueta de acción de CO	
	Apagado debido a falla del sistema de detección de CO e indicador fijo en naranja	Falla del sistema o indicación de fin de vida. Lleve el equipo a un servicio técnico autorizado.	
Si aún así el motor se apaga:			
El motor funciona forzado (con carga)	Filtro de aire sucio	Pare el motor y compruebe el filtro de aire. Límpielo en caso de ser necesario.	Arranque el motor y compruebe si corre con dificultad.
	Sobrecarga del generador	Desenchufe alguno de los equipos.	
	Equipo defectuoso conectado	Desenchufe el equipo defectuoso.	
	Si el motor continúa corriendo con dificultad:	Lleve el equipo a un servicio técnico autorizado.	
El motor funciona pero el generador no suministra energía	El interruptor está abierto.	Cierre el interruptor.	Arranque el motor y compruebe si proporciona energía.
	Conexión incorrecta	Pare el motor y compruebe las conexiones.	
	Cable de alimentación defectuoso	Sustituya el cable.	
	Equipo defectuoso conectado	Desenchufe el equipo defectuoso.	
	Si todavía no suministra energía:	Lleve el equipo a un servicio técnico autorizado.	

ESPECIFICACIONES

	RP3600	RP5500	RP6500	RP6500 E	RP7500 E	RP8000 E
Tipo de motor	Un solo cilindro, 4 tiempos, refrigeración por aire forzado, OHV					
Cilindrada (cc)	212	301	420	420	420	420
Sistema de ignición	Magneto transistorizado					
Distancia entre electrodos	.028 - .032 pulgadas (0.7 – 0.8 mm)					
Volumen de combustible	4.2 galón EE. UU. (16L)	7.5 galones EE. UU. (28.5 l)				
Consumo de combustible (g/(kWh))	≤ 395	≤ 374	≤ 374	≤ 374	≤ 374	≤ 374
100% carga continua, tiempo de servicio (h)	7.5	10.5	8.8	8.8	6.5	6.2
50% carga continua, tiempo de servicio (h)	13.5	15	12	12	11	10.5
Capacidad de aceite	0.55 cuartos (0.52 l)	1.1 cuartos (1.05 l)				
Voltaje de carga (V CC)	No aplicable			12-60		
Corriente de carga (A)	No aplicable			0-100		
Frecuencia nominal (Hz)	60					
Voltaje nominal (V)	120	120/240				
Potencia nominal de salida (kW)	3.6	5.5	6.5	6.5	7.5	8.0
Potencia pico de salida (kW)	4.5	6.875	8.125	8.125	9.375	10.0
Fase	Monofásico					

DECLARACIÓN DE GARANTÍA DE LOS CONTROLES DE EMISIONES COMBINADAS DE ESCAPE Y DE EVAPORACIÓN

Derechos y obligaciones de la garantía

La Junta de Recursos del Aire de California (CARB, California Air Resources Board), la Agencia de Protección Ambiental de los Estados Unidos (EPA, Environmental Protection Agency) y Caterpillar Inc. se complacen en ofrecerle detalles sobre la garantía del sistema de control de emisiones evaporativas y de escape de su motor/equipo compacto todoterreno modelo 2020. En Estados Unidos y California, los equipos nuevos que utilicen motores todoterreno compactos deben estar diseñados, fabricados y equipados de acuerdo con estrictas normas sobre emisiones. Caterpillar está obligado a garantizar el sistema de control de emisiones de su motor/equipo compacto todoterreno durante los periodos de tiempo indicados más adelante, siempre y cuando no haya habido mal uso, negligencia o mantenimiento inadecuado del motor/equipo todoterreno que pudiera haber ocasionado la falla del sistema de control de emisiones.

Su sistema de control de emisiones puede incluir piezas tales como: carburador o sistema de inyección de combustible, sistema de arranque, convertidor catalítico, tanques de combustible, conductos de combustible (para combustible líquido y vapor de combustible), tapones de depósito de combustible, válvulas, cartuchos, filtros, pinzas y demás componentes asociados. También puede incluir mangueras, correas, cables y otros conjuntos relacionados con las emisiones.

Si se cumplen las condiciones de la garantía, Caterpillar reparará su motor/equipo compacto todoterreno sin costo alguno para usted, incluyendo el diagnóstico, las piezas y la mano de obra.

Cobertura de la garantía del fabricante

El sistema de control de emisiones evaporativas y de escape de su motor/equipo compacto todoterreno cuenta con una garantía de tres años. Si cualquier pieza de su motor/equipo compacto todoterreno relacionada con las emisiones está defectuosa, Caterpillar reparará o sustituirá dicha pieza.

Responsabilidades del propietario

Como propietario del motor/equipo compacto todoterreno, es responsable de realizar el mantenimiento descrito en el manual del usuario. Caterpillar le recomienda conservar todos los recibos relacionados con el mantenimiento de su motor/equipo compacto todoterreno. Sin embargo, Caterpillar no le podrá denegar la cobertura de la garantía solamente por la ausencia de recibos o por no poder demostrar que ha realizado todo el mantenimiento programado.

No obstante, como propietario del motor/equipo compacto todoterreno, debe saber que Caterpillar puede denegarle la garantía si su motor/equipo compacto todoterreno o una parte del mismo falla debido a un mal uso, negligencia, mantenimiento inadecuado o modificaciones no autorizadas.

Usted será responsable de presentar su motor/equipo compacto todoterreno al centro de distribución de Caterpillar en cuanto se presente el problema. Las reparaciones bajo garantía se deben completar dentro de un periodo razonable de tiempo, el cual no deberá exceder los 30 días.

Si tiene cualquier pregunta relacionada con los derechos y obligaciones de la garantía, póngase en contacto con Caterpillar en el teléfono 1-844-797-6387 o por correo electrónico: homeandoutdoorpower@cat.com.

Requisitos para la garantía por defectos:

- (a) El período de garantía inicia en la fecha en que el motor/equipo se entrega al cliente final.
- (b) Cobertura general de la garantía de emisiones. Caterpillar garantiza al cliente final y posteriores propietarios que el motor o equipo:
 - (1) Está diseñado, construido y equipado de manera tal que cumple con todas las normativas aplicables adoptadas por la Junta de Recursos del Aire; y
 - (2) No tiene defectos de material o fabricación que ocasionen el fallo de las piezas cubiertas por la garantía durante un periodo de tres años
- (c) La garantía para las piezas relacionadas con las emisiones se interpretará de la siguiente manera:
 - (1) Cualquier pieza incluida bajo la garantía cuyo reemplazo no esté programado como un requisito de mantenimiento según lo indicado en las instrucciones escritas deberá quedar cubierta bajo garantía por el periodo de garantía definido en la subsección (b)(2). Si tal pieza llegara a fallar durante el periodo de cobertura de la garantía, deberá ser reparada o reemplazada por Caterpillar de acuerdo a la subsección (4) que se indica a continuación. Después de su reparación o reemplazo bajo garantía, tales piezas deberán quedar cubiertas bajo la garantía por el periodo restante de la misma.
 - (2) Cualquier pieza incluida bajo la garantía que se encuentre programada únicamente para su inspección regular según lo indicado en las instrucciones escritas deberá quedar cubierta bajo garantía por el periodo de garantía definido en la Subsección (b)(2). La inclusión en las instrucciones escritas de cualquier declaración a efectos de "reparar o reemplazar cuando sea necesario" informará al propietario de la conveniencia de contar con cobertura de garantía para las piezas relacionadas con las emisiones. El reemplazo dentro del periodo de garantía queda cubierto por la garantía y no hará disminuir el periodo de cobertura de la misma. Después de su reparación o reemplazo

- bajo garantía, la pieza deberá quedar cubierta bajo la garantía por el periodo restante de la misma.
- (3) Cualquier pieza incluida bajo la garantía cuyo reemplazo esté programado como un requisito de mantenimiento según lo indicado en las instrucciones escritas deberá quedar cubierta bajo garantía por el periodo de tiempo anterior al primer reemplazo programado para esa pieza. Si ocurriese alguna falla en la pieza antes del primer reemplazo programado, la pieza deberá ser reparada o reemplazada por Caterpillar de acuerdo a la subsección (4) que se indica a continuación. Después de su reparación o reemplazo bajo garantía, tal pieza deberá quedar cubierta bajo la garantía por el periodo restante anterior al primer reemplazo programado para la pieza.
- (4) La reparación o el reemplazo de cualquier pieza bajo las disposiciones de la garantía debe realizarse sin cargo alguno al propietario en un centro de garantía.
- (5) No obstante lo provisto en la subsección (4) indicada anteriormente, los servicios o reparaciones bajo garantía deben brindarse asimismo en todo centro de distribución que esté concesionado para realizar tales servicios al motor/equipo en cuestión.
- (6) No se debe cobrar al propietario por trabajos de diagnóstico cuyos resultados determinen que la pieza bajo garantía presenta defectos de origen, siempre y cuando el trabajo de diagnóstico se lleve a cabo en un centro de garantía.
- (7) Caterpillar se hará responsable por los daños a otros componentes del motor/equipo ocasionados por alguna falla contemplada bajo la garantía de cualquier pieza cubierta bajo la garantía.
- (8) Durante el periodo de garantía de emisiones definido en la subsección (b)(2), Caterpillar deberá mantener un suministro adecuado de las piezas cubiertas bajo la garantía para cumplir con la demanda esperada de tales piezas y deberá obtener piezas adicionales en caso de no contar con ellas en inventario.
- (9) Al realizar cualquier trabajo de mantenimiento o reparación, se deben utilizar piezas de repuesto aprobadas por el fabricante que no incrementen las emisiones de escape o de evaporación del motor o del sistema de control de emisiones; estas piezas se deben proporcionar al propietario sin cargo alguno. Tal uso no reducirá las obligaciones de la garantía de Caterpillar.
- (10) No se podrán utilizar piezas añadidas o modificadas que no hayan sido exentas por la Junta de Recursos del Aire. El uso de cualquier pieza añadida o modificada no exenta será motivo para invalidar una solicitud de garantía. Caterpillar no se hace responsable de cubrir bajo garantía las fallas de piezas cubiertas bajo la garantía que hayan sido ocasionadas por el uso de piezas añadidas o modificadas.
- (11) Caterpillar, quien emite esta garantía, deberá proporcionar cualquier documento que describa los procedimientos o políticas de garantía del fabricante dentro de un periodo de cinco días hábiles a partir de la solicitud de la oficina ejecutiva.
- (d) Lista de piezas para las emisiones cubiertas por la garantía
- (1) Sistema de medición de combustible
- (i) Carburador y piezas internas (y/o regulador de presión o sistema de inyección de combustible)
- (ii) Sistema de control y retroalimentación del coeficiente aire-combustible
- (iii) Sistema de enriquecimiento de arranque en frío
- (2) Sistema de inducción de aire
- (i) Sistema de entrada controlada de aire caliente
- (ii) Colector de entrada
- (iii) Filtro de aire
- (3) Sistema de ignición
- (i) Bujía de encendido
- (ii) Sistema de arranque por magneto o electrónico
- (iii) Sistema de avance o retardo de chispa
- (4) Sistema de recirculación de gases de escape (EGR por sus siglas en inglés)
- (i) Cuerpo de la válvula de EGR y separador del carburador, si corresponde
- (ii) Sistema de control y retroalimentación de la velocidad de EGR
- (5) Sistema de inyección de aire
- (i) Bomba de aire o válvula de impulso
- (ii) Válvulas que afectan la distribución del flujo
- (iii) Colector de distribución
- (6) Catalizador o sistema del reactor térmico
- (i) Convertidor catalítico
- (ii) Reactor térmico
- (iii) Colector de escape
- (7) Controles de material particulado
- (i) Colectores, filtros, precipitadores y cualquier otro dispositivo utilizado para capturar la emisión de material particulado
- (8) Diversos elementos que se utilizan en los sistemas mencionados anteriormente
- (i) Controles electrónicos
- (ii) Válvulas e interruptores sensibles al vacío, el tiempo y la temperatura
- (iii) Mangueras, correas, cables y conjuntos.
- (e) Lista de piezas para las emisiones evaporativas cubiertas por la garantía
- (1) Depósito de combustible
- (2) Tapón del depósito de combustible
- (3) Conductos de combustible (para combustible líquido y vapor de combustible)
- (4) Aditamentos del conducto de combustible
- (5) Pinzas*
- (6) Válvulas de alivio de presión*
- (7) Válvulas de control*
- (8) Solenoides de control*
- (9) Controles electrónicos*
- (10) Diafragmas de regulación de vacío*
- (11) Cables de control*
- (12) Varillajes de control*
- (13) Válvulas de depuración*
- (14) Juntas*
- (15) Separador de líquido/vapor
- (16) Cartucho de carbono
- (17) Abrazaderas de montaje del cartucho
- (18) Cable del puerto de depuración del carburador
- *Nota: En relación con el sistema de control de emisiones de evaporación

GARANTÍA

GARANTÍA LIMITADA DE CATERPILLAR PARA MODELOS DE GENERADORES PORTÁTILES: RP3600, RP5500, RP6500, RP6500 E, RP7500 E, RP8000 E, RP12000 E Adquiridos en Estados Unidos y Canadá

Caterpillar (Newberry) LLC. (Caterpillar) garantiza al comprador original que cualquier generador portátil nuevo de la marca Cat adquirido en Estados Unidos o Canadá está libre de defectos de material y fabricación durante el periodo de garantía especificado más adelante, siempre y cuando el producto se utilice y se mantenga de acuerdo con las instrucciones y manuales de Caterpillar. Caterpillar se reserva el derecho de reparar o sustituir cualquier pieza que resulte ser defectuosa tras la inspección por parte de Caterpillar o su servicio técnico autorizado durante el periodo de garantía especificado más adelante. En caso que el comprador reclame que el producto está defectuoso, el mismo deberá ser entregado para su revisión al servicio técnico autorizado de Caterpillar más cercano situado en Estados Unidos o Canadá. El comprador asumirá todos los costos asociados con el transporte y el riesgo de pérdida.

Periodo de garantía:

Todos los generadores portátiles nuevos tienen una garantía en condiciones de uso normales de dos (2) años desde la fecha de la compra original o 1000 horas de funcionamiento, el plazo que venza primero. Si no existe comprobante de compra original, se utilizará la fecha de envío del fabricante para determinar el comienzo del periodo de garantía. Para facilitar cualquier reclamación de garantía, el comprador original deberá registrar el producto en www.cat.com/herramientasusodomesticoyexterior-asistencia inmediatamente después de la compra.

Al registrar el producto en www.cat.com/herramientasusodomesticoyexterior-asistencia en un plazo de treinta (30) días a partir de la fecha de compra, el comprador original tiene la posibilidad de ampliar el periodo de garantía por un año para contar con un total de tres (3) años, calculados desde la fecha de la compra original del producto y con la limitación de 1000 horas de funcionamiento en total durante el periodo de garantía.

Esta garantía NO es aplicable en los siguientes casos:

1. Daños o deterioro debidos al desgaste normal.
2. Fallos provocados por factores externos o de fuerza mayor, como accidentes, colisiones, robo, vandalismo, disturbios, guerra, incendio, congelación, rayos, terremotos, tormentas, granizo, erupciones volcánicas, inundaciones, tornados o huracanes.
3. Fallos debidos a modificaciones, ajustes, cambios de combustible no autorizados o negligencia, así como almacenamiento, reparación o mantenimiento inadecuados.
4. Fallos debidos al mal uso o implementación del producto para otros usos distintos a los previstos por el fabricante, incluyendo - pero sin limitarse a- la instalación inadecuada o la localización en un entorno contaminado, agresivo, corrosivo o salino.
5. Fallos debidos a aditamentos, accesorios y piezas no vendidos, remitidos o autorizados por Caterpillar.
6. Fallos debidos a combustible, aceite o cualquier fluido de servicio inadecuados o contaminados, así como por niveles de fluido inadecuados.
7. Fallos debidos a que el usuario se retrase en devolver el producto después de haber sido notificado de que podría haber un problema con dicho producto.
8. Daños estéticos, decoloración, oxidación, corrosión o arañazos en la pintura.
9. Sustitución de consumibles, incluyendo -pero sin limitarse a- fusibles, lámparas y filtros.
10. Reparación no efectuada por un servicio técnico autorizado de Caterpillar.
11. Gastos adicionales por reparación fuera del horario comercial normal, como horas extras o tarifas en periodo de vacaciones.
12. Gastos por el alquiler de equipos durante el tiempo de inactividad o la realización de reparaciones bajo la garantía.
13. Gastos derivados de analizar las reclamaciones por rendimiento o la resolución de problemas donde finalmente no se encuentre ningún defecto de fabricación.
14. Las baterías de arranque NO están cubiertas por esta garantía, pero sí lo están por la garantía de las piezas del generador portátil.

Para obtener los servicios cubiertos por esta garantía o resolver cualquier duda relacionada con la garantía y su aplicación, póngase en contacto por teléfono al 1-844-797-6387 o visite www.cat.com/herramientasusodomesticoyexterior-asistencia, donde también podrá localizar el servicio técnico autorizado Caterpillar más cercano.

CLÁUSULA DE ARBITRAJE DEL CONSUMIDOR: OBLIGACIÓN DE ARBITRAJE INDIVIDUAL VINCULANTE EN VEZ DE JUICIO; RENUNCIA A DEMANDAS COLECTIVAS

- a. Usted y Caterpillar acuerdan que, dentro de lo permitido por la ley vigente, todas las disputas o demandas que surjan o estén relacionadas de cualquier manera con los productos de generadores portátiles marca Cat o los servicios relacionados con los mismos, o a partir de cualquier forma de publicidad de cualquiera de estos productos o servicios, incluido cualquier asunto relacionado con la existencia, validez o finalización de esta Garantía Limitada de Caterpillar, así como cualquier asunto relacionado con la interpretación de los términos y condiciones de esta Cláusula de Arbitraje del Consumidor, se resolverán con arbitraje vinculante ante un solo árbitro, y no ante juzgado, a excepción de que usted ejerza la demanda ante un juzgado con competencia en asuntos de menor cuantía. Esto también incluye cualquier demanda que haya surgido antes de su aceptación de esta Garantía Limitada de Caterpillar, independientemente si las versiones anteriores de la Garantía Limitada requerían arbitraje. En Estados Unidos, la Ley Federal de Arbitraje (9 U.S.C. § 1 *et seq.*) y la legislación federal de arbitraje son aplicables a la Garantía Limitada de Caterpillar y a los términos y condiciones de esta Cláusula de Arbitraje del Consumidor.
- b. El Arbitraje utiliza un árbitro neutral en vez de un juez y un jurado. Un árbitro puede adjudicar, de manera individual, los mismos daños y compensaciones que se darían en un juzgado (incluyendo órdenes judiciales y sentencias declaratorias o daños estatutarios) y debe cumplir los términos de esta Garantía Limitada (incluyendo los términos y condiciones de esta Cláusula de Arbitraje del Consumidor) de la misma manera en la que lo haría un juzgado. Los procedimientos del Arbitraje permiten mayor descubrimiento (de pruebas) limitado y la revisión ante un juzgado de una adjudicación de arbitraje también es limitada.
- c. Si usted tiene una disputa y elige recurrir a un arbitraje o decide llevar su caso ante un juzgado de procesos monitorios, primero deberá enviar a Caterpillar, por medio de correo certificado, una notificación por escrito de su demanda en donde (a) describa la naturaleza y las bases de la demanda o disputa; (b) establezca la compensación que desea y (c) también incluya una dirección postal y correo electrónico en donde pueda ser contactado ("Aviso"). La notificación deberá estar dirigida a: Consejo General de Caterpillar Inc., 100 N.E. Adams St. Peoria Illinois 61629 ("Dirección de recepción de notificaciones") y debe indicar como referencia "Notificación de demanda bajo la Garantía Limitada de Caterpillar" Si en un periodo de 60 días posteriores a que se reciba la notificación, usted y Caterpillar no llegan a un acuerdo para resolver la demanda, usted o Caterpillar podrán iniciar el proceso de arbitraje o presentar la demanda ante un juzgado de procesos monitorios.
- d. Puede descargar o copiar un formulario para iniciar el arbitraje en el siguiente enlace www.adr.org. En caso de que se le solicite pagar alguna tarifa de derechos de trámite, Caterpillar le reintegrará el importe de dicha tarifa después de que Caterpillar reciba la notificación (en la dirección de recepción de notificaciones) de que usted ha iniciado el proceso de arbitraje, siempre y cuando la demanda no exceda los \$25,000 USD, en cuyo caso usted será responsable de cubrir dicha tarifa.
- e. El arbitraje se registrará por las Normas de Arbitraje del Consumidor vigentes de la Asociación Americana de Arbitraje (AAA), según quedan modificadas por los términos establecidos en esta Garantía Limitada (incluyendo los términos y condiciones esta

Cláusula de Arbitraje del Consumidor) y será administrado por la AAA. Las normas y formularios de la AAA están disponibles en línea en el siguiente enlace www.adr.org o por teléfono llamando a la AAA al 1-800-778-7879. En caso de que exista algún conflicto entre los términos establecidos en el presente documento y las Reglas de Arbitraje del Consumidor de la AAA, se aplicarán los siguientes términos.

- f. Si el total de la demanda es menor a US\$25,000, Caterpillar pagará todas las tasas administrativas y de arbitraje, incluyendo la cuota de compensación del árbitro y le reembolsará cualquier cuota administrativa y de arbitraje que usted haya pagado. Si su demanda excede los US\$25,000, las partes pagarán partes iguales de cualquier tasa administrativa o de arbitraje, incluyendo la cuota de compensación del árbitro, a excepción de las cuotas que las Reglas de Arbitraje del Consumidor de la AAA, requieran que Caterpillar pague en su totalidad. Cada parte pagará sus propios gastos de asesoría, expertos, testigos y preparación y presentación de evidencia en cualquier audiencia de arbitraje.
- g. Si su demanda es de US\$25,000 o menos, usted y Caterpillar acuerdan que usted elegirá si el arbitraje se llevará a cabo únicamente con base en los documentos o a través de una audiencia telefónica. Usted también podrá solicitar una audiencia en persona, que podrá ser proporcionada a discreción del árbitro. Si el árbitro otorga la audiencia en persona, dicha audiencia se llevará a cabo en un lugar acordado por ambas partes o en un lugar determinado por el árbitro o por la AAA. En dicha audiencia en persona, las partes o cualquiera de sus testigos tienen derecho a participar de manera remota mediante una videoconferencia o algún método similar. Si su demanda excede los US\$25,000, el árbitro determinará el derecho de audiencia.
- h. Usted y Caterpillar acuerdan, dentro de los términos de la ley vigente, que cualquier procedimiento para llegar a un acuerdo, ya sea en un juzgado o ante un árbitro, se llevará a cabo únicamente de manera individual y no de manera colectiva, representativa, consolidada o mediante acción en masa. Ni usted ni Caterpillar podrán unirse o consolidar demandas por medio de o en contra de algún tercero, o arbitrar o participar de alguna otra manera en cualquier demanda como representante de un colectivo, miembro de un colectivo o en la capacidad general de un abogado privado. Si se encuentra que esta disposición no puede ser ejecutada, entonces, todos los términos y condiciones de estos párrafos de Resolución de Conflictos y Arbitraje (a excepción del párrafo (k)), serán nulos e inválidos.

Ley vigente

- m. Al comprar o utilizar cualquier producto o servicio del generador portátil marca Cat, relacionado con el presente contrato, usted acuerda que, hasta donde lo permita la legislación vigente, la Ley Federal de Arbitraje, la ley federal vigente y las leyes del Estado de Illinois, sin tener en cuenta los conflictos de leyes y regulaciones, regirán los términos de esta Garantía Limitada, así como cualquier conflicto de cualquier tipo que surja entre usted y Caterpillar con relación a dichos productos o servicios.
- n. Si surge algún conflicto relacionado con un generador portátil marca Cat vendido en Canadá, los términos precedentes de resolución de disputas y arbitraje se aplicarán dentro de lo permitido por la ley vigente. Si los términos precedentes

Limitaciones

ESTA GARANTÍA SUSTITUYE A CUALQUIER OTRA GARANTÍA EXPLÍCITA O IMPLÍCITA. EN CONCRETO, CATERPILLAR NO OFRECE NINGUNA OTRA GARANTÍA RESPECTO A LA COMERCIABILIDAD O IDONEIDAD PARA UN USO PARTICULAR. LA ÚNICA RESPONSABILIDAD DE CATERPILLAR CONSISTE EN LA REPARACIÓN O SUSTITUCIÓN DE PIEZAS SEGÚN LO INDICADO ANTERIORMENTE. EN NINGÚN CASO CATERPILLAR SERÁ RESPONSABLE DE CUALQUIER DAÑO INCIDENTAL O CONSECUENTE, AUNQUE EL DAÑO FUESE DIRECTAMENTE OCASIONADO POR NEGLIGENCIA DE CATERPILLAR.

Esta garantía está sujeta a las leyes o a cualquier otra disposición legal de los Estados Unidos o de cualquier otra jurisdicción correspondiente y no se aplicará contraviniendo las mismas, sin tener que recurrir a Caterpillar ni que ésta sea responsable. Es posible que la limitación arriba mencionada no aplique en su caso particular, ya que algunos estados no permiten la exclusión o limitación de daños incidentales o indirectos. Esta garantía le otorga derechos legales específicos. Es posible que tenga otros derechos en función del estado o territorio.

En Estados Unidos y Canadá: Caterpillar Newberry LLC, Electric Power Division, 40 Mawsons Way, SC 29108-6400, a la atención de: Gerente del Servicio de Atención al Cliente, teléfono (844)-797-6387. Fuera de los Estados Unidos y Canadá: Comuníquese con su servicio técnico autorizado ingresando en www.cat.com/herramientasusodomicoeyexterior-asistencia o por correo electrónico en homeandoutdoorpower@cat.com.

- i. Cualquier arbitraje será confidencial. Ni usted, ni Caterpillar, ni la AAA, ni el árbitro, deberán dar a conocer la existencia, el contenido (incluyendo cualquier informe oral o escrito) o los resultados de cualquier arbitraje, a excepción de aquellos solicitados por ley o para hacer cumplir o recusar la adjudicación del árbitro.
- j. Usted podrá optar por la exclusión voluntaria de la resolución de este conflicto proporcionando un aviso escrito a la Dirección de recepción de Avisos de Caterpillar en un período no mayor a 30 días a partir de la fecha de compra de los productos o servicios de Caterpillar (o la fecha en la que fue usado por primera vez en caso de productos o servicios gratuitos) que se encuentran cubiertos por esta Garantía Limitada. La exclusión voluntaria de este procedimiento de resolución de conflictos no afectará de ninguna manera la cobertura o validez de esta Garantía Limitada o su capacidad para comprar o usar los productos o servicios del generador portátil marca Cat.
- k. Si por alguna razón la demanda procede por juzgado en lugar de por arbitraje o por un tribunal de quejas de menor cuantía, incluso con exclusión voluntaria según los términos del párrafo (j), hasta donde lo permita la ley, cada uno de nosotros renunciamos a cualquier derecho a un juicio por jurado y acordamos que esos procedimientos deberán llevarse a cabo únicamente a título individual y no mediante acción colectiva, representativa, consolidada o en masa. Bajo dichas circunstancias, usted y Caterpillar acuerdan que en la medida en que surja un conflicto con un generador portátil marca Cat, vendido en los Estados Unidos de América, los tribunales federales y estatales del Estado de Illinois tienen la jurisdicción exclusiva para requerir audiencias y determinar cualquier demanda, permitir la jurisdicción personal de cualquier tribunal federal o estatal del Estado de Illinois, y aceptar la idoneidad de la jurisdicción en cualquier distrito judicial dentro del Estado de Illinois. Si cualquier parte de estas disposiciones de la Resolución de Conflictos y Arbitraje o del presente párrafo (k) no pueden ser ejecutadas, el resto de estas disposiciones de la Resolución de Conflictos y Arbitraje y del presente párrafo (k) seguirán siendo válidas y deben llevarse a cabo en su totalidad.
- l. En caso de que cualquier disposición de este acuerdo resulte inválida o no pueda ser ejecutada en un caso o jurisdicción en particular, dicha disposición será divisible en ese caso o jurisdicción, de acuerdo con el caso y sin afectar la validez y la ejecutabilidad de las disposiciones restantes de este acuerdo, y no afectarán la validez y ejecutabilidad del acuerdo en otros casos o jurisdicciones.

no son vinculantes para usted bajo la ley vigente en su jurisdicción y los conflictos se encuentran bajo la jurisdicción del tribunal de quejas de menor cuantía en su estado, usted podrá elegir proceder con su demanda ante dicho tribunal. Si el conflicto excede la jurisdicción del tribunal de quejas de menor cuantía de su estado, usted acuerda someterse a la jurisdicción de los juzgados de su estado para el propósito de litigar todas las demandas, conflictos, acciones o causas de acción judicial, problemas o solicitud de compensaciones relacionados con esta Garantía Limitada en las que los juzgados tengan jurisdicción exclusiva sobre dichas demandas, conflictos, acciones o causas de acción judicial, problemas o solicitud de compensaciones.

© 2020 Caterpillar. Todos los derechos reservados. CAT, CATERPILLAR, HAGAMOS EL TRABAJO, sus respectivos logotipos, el color "Caterpillar Yellow", la imagen comercial de "Power Edge" y Cat "Modern Hex", así como la identidad corporativa y de producto utilizadas en la presente, son marcas registradas de Caterpillar y no pueden utilizarse sin autorización. www.cat.com/herramientasusodomicoeyexterior

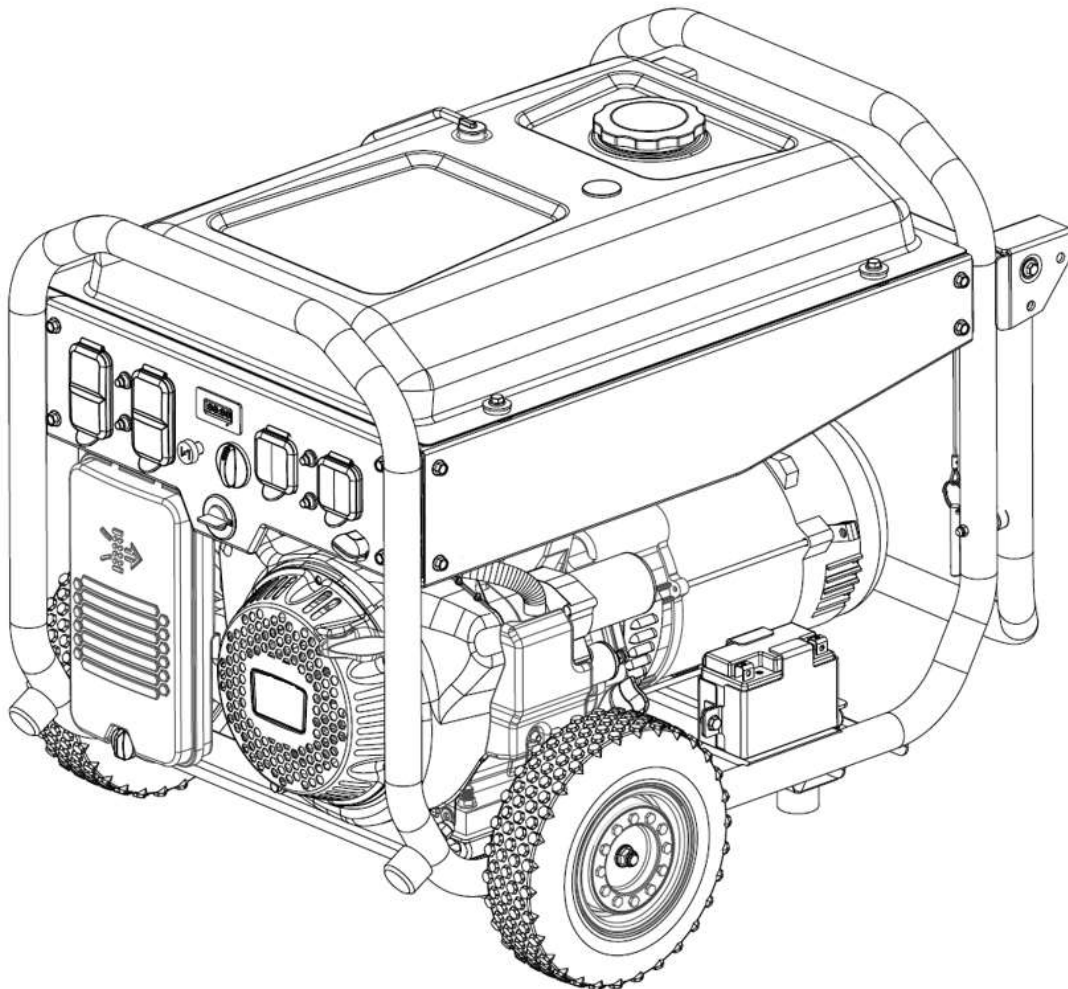


© 2020 Caterpillar. Todos los derechos reservados. CAT, CATERPILLAR, HAGAMOS EL TRABAJO, sus respectivos logotipos, el color "Caterpillar Yellow", la imagen comercial de "Power Edge" y Cat "Modern Hex", así como la identidad corporativa y de producto utilizadas en la presente, son marcas registradas de Caterpillar y no pueden utilizarse sin autorización.




Manuel d'utilisation

**RP3600, RP5500, RP6500,
RP6500 E, RP7500 E et RP8000 E**
Générateurs portables



Renseignements importants concernant la sécurité

La plupart des accidents impliquant l'utilisation, l'entretien et la réparation du produit sont causés par le non-respect des règles ou des consignes de sécurité de base. Il est souvent possible d'éviter un accident en reconnaissant les situations potentiellement dangereuses avant qu'un accident se produise. Toute personne doit être consciente des risques potentiels, y compris des facteurs humains pouvant affecter la sécurité. Toute personne doit également être formée et posséder les compétences et les outils nécessaires pour effectuer correctement ces opérations.

Des consignes et des avertissements de sécurité sont fournis dans ce manuel ainsi que sur le produit. Si ces avertissements sont ignorés, vous ou d'autres personnes risquez de subir des blessures pouvant entraîner la mort. Les dangers sont identifiés par le « Symbole d'alerte de sécurité »  et suivis d'un « mot indicateur », comme « DANGER », « AVERTISSEMENT » ou « ATTENTION ».

Caterpillar ne peut pas anticiper toutes les circonstances possibles pouvant impliquer un danger potentiel. Les avertissements inclus dans la présente publication et sur le produit ne représentent donc pas une liste exhaustive. Vous ne devez pas utiliser ce produit d'une manière qui diffère de celle indiquée dans ce manuel sans avoir pris en compte toutes les règles et consignes de sécurité applicables à l'utilisation du produit à l'emplacement prévu, y compris les règles et les consignes spécifiques applicables au lieu de travail. Si vous utilisez un outil, une procédure, une méthode de travail ou une technique d'utilisation qui ne fait pas partie des recommandations spécifiques de Caterpillar, vous devez vous assurer que cela ne présente aucun danger pour vous ni pour les autres. Vous devez également vous assurer que vous avez l'autorisation d'effectuer cette tâche et que le produit ne sera ni endommagé ni rendu dangereux par les procédures d'utilisation, de lubrification, d'entretien ou de réparation que vous envisagez d'utiliser.

Les renseignements, les caractéristiques et les illustrations inclus dans la présente publication sont basés sur les données disponibles au moment de sa rédaction. Les caractéristiques, les valeurs de couple et de pression, les mesures, les réglages, les illustrations et d'autres éléments peuvent être modifiés à tout moment. Ces modifications peuvent avoir un impact sur l'entretien du produit. Procurez-vous les tout derniers renseignements complets avant d'entreprendre une tâche.

Aux États-Unis, l'entretien, le remplacement ou la réparation des dispositifs et des systèmes de contrôle des émissions peuvent être effectués par un établissement quelconque de réparation ou un individu choisi par le propriétaire.

Le présent manuel contient des renseignements relatifs à la sécurité, à l'utilisation et à l'entretien. Le présent manuel doit être entreposé avec le produit. Lisez et étudiez le manuel, et entreposez-le avec la documentation et les renseignements sur le produit.

Clause compromissoire de consommation

La Garantie limitée incluse dans le présent Guide d'utilisation contient des modalités juridiques importantes, notamment, mais sans s'y limiter, une Clause compromissoire de consommation qui exige un arbitrage individuel obligatoire et la renonciation à la possibilité d'engager un recours collectif. Veuillez examiner attentivement le présent document.

Avertissement concernant la Proposition 65 de Californie



AVERTISSEMENT

Ce produit, ainsi que tous ses accessoires, peut vous exposer à des substances chimiques telles que le benzène, reconnu par l'État de Californie comme cancérigène, mutagène et reprotoxique. Pour plus de renseignements, consultez le site www.P65Warnings.ca.gov. Pour réduire les risques pour la santé, évitez d'inhaler les vapeurs de carburant et d'essence, ainsi que les gaz d'échappement du moteur. Lavez-vous les mains après utilisation.

Table des matières

Clause compromissoire de consommation	2
Avertissement concernant la Proposition 65 de Californie	2
MESSAGES DE SÉCURITÉ	5
Messages supplémentaires	6
Batterie (Le cas échéant)	6
Exigences spéciales	7
ASSEMBLAGE	8
Assemblage des pieds	8
Ensemble de roue	8
Connexion de la batterie (le cas échéant)	8
Huile	8
Supports de tablier	8
IDENTIFICATION DES COMPOSANTS	9
RP3600, RP5500 et RP6500	9
RP6500 E, RP7500 E et RP8000 E	9
Type de moteur et numéro de série	10
COMMANDES	11
Écran	11
Commutateur du générateur	11
Étrangleur	11
CO DEFENSE™ et système d'arrêt (Le cas échéant)	11
Commutateur de carburant	12
Démarreur manuel	12
Disjoncteur C.A.	12
Disjoncteur CSA (le cas échéant)	12
Dispositif d'arrêt en cas de faible niveau d'huile	12
120 V c.a., 20 A, double	12
Prise RV	13
120 V c.a., 120/240 V c.a., 30 A, verrouillage	13
FONCTIONNEMENT DU GÉNÉRATEUR	13
Conditions optimales de fonctionnement du générateur	13
Raccordement à l'alimentation secteur domestique	13
Mise à la terre du générateur	13
Utilisation en C.A.	14
Trousses de haute altitude	14
AVANT DE DÉMARRER LE MOTEUR	14
Huile à moteur	14
Carburant	14
Inspection visuelle	14
DÉMARRAGE DU MOTEUR	15

Démarrage manuel	15
Démarrage électrique (le cas échéant)	15
ARRÊT DU MOTEUR	15
MAINTENANCE	15
Filtre à air – Vérification	15
Niveau d’huile moteur – Vérification	16
Huile moteur – Changement	16
Jeu des soupapes du moteur – Inspection/Réglage.....	17
Conduit de carburant – Remplacement	17
Bouchon et filtre du réservoir de carburant – Nettoyage	17
Générateur – Inspection.....	17
Pare-étincelles – Inspection/ Nettoyage/Remplacement	17
Bougie d’allumage – Inspection/ Réglage/Remplacement	17
Batterie (Le cas échéant) – Inspecter/Remplacer	18
Inspection visuelle.....	18
ENTREPOSAGE	19
Entreposage de 1 à 3 mois	19
Entreposage de plus de 3 mois	19
DÉPANNAGE.....	20
CARACTÉRISTIQUES.....	21
DÉCLARATION DE GARANTIE DU CONTRÔLE DES ÉMISSIONS DE GAZ D’ÉCHAPPEMENT ET PAR ÉVAPORATION.....	22
Les droits et obligations de votre garantie	22
Garantie du constructeur.....	22
Responsabilités du propriétaire relatives à la garantie	22
Exigences de garantie pour les défauts :.....	22
GARANTIE	24
CLAUSE COMPROMISSOIRE DE CONSOMMATION : ARBITRAGE EXÉCUTOIRE INDIVIDUEL OBLIGATOIRE PLUTÔT QUE TRIBUNAL; RENONCIATION AUX RECOURS COLLECTIFS	24

MESSAGES DE SÉCURITÉ

Plusieurs messages de sécurité spécifiques peuvent être présents sur votre générateur. Familiarisez-vous avec tous les messages de sécurité.

Vérifiez que tous les messages de sécurité sont lisibles. Nettoyez les messages de sécurité ou remplacez-les si les mots deviennent illisibles ou si les illustrations ne sont pas visibles. Utilisez un chiffon, de l'eau et du savon pour nettoyer les messages de sécurité. N'utilisez pas de solvants, d'essence ou d'autres produits chimiques abrasifs. Les solvants, l'essence ou d'autres produits chimiques abrasifs pourraient décoller l'adhésif servant à fixer les messages de sécurité.

Remplacez tout message de sécurité endommagé ou manquant. Si un message de sécurité est fixé sur une pièce du générateur qui doit être remplacée, installez un nouveau message de sécurité sur la pièce de rechange.



Lisez le manuel

AVERTISSEMENT

N'utilisez pas ce générateur et ne travaillez pas dessus avant d'avoir lu et compris l'ensemble des instructions et des avertissements fournis dans le manuel d'utilisation. Le non-respect des instructions ou des avertissements peut provoquer des blessures pouvant entraîner la mort. Vous êtes responsable du bon entretien du produit.

Surface chaude / Ne pas toucher / Matériau inflammable



AVERTISSEMENT

Les pièces chaudes ou les composants chauds peuvent provoquer des brûlures ou des blessures corporelles. Évitez tout contact entre les pièces ou composants chauds et votre peau. Utilisez des vêtements de protection ou un équipement de protection pour protéger votre peau. Les gaz d'échappement chauds constituent un risque potentiel d'incendie. Veillez à tenir tout élément inflammable à plus de 1.5 mètres de l'échappement.



Monoxyde de carbone

⚠ DANGER

Using a generator indoors CAN KILL YOU IN MINUTES.

Generator exhaust contains carbon monoxide. This is a poison you cannot see or smell.

NEVER use inside a home or garage, EVEN IF doors and windows are open.

Only use OUTSIDE and far away from windows, doors, and vents.

DANGER

Utiliser un générateur à l'intérieur PEUT VOUS TUER EN QUELQUES MINUTES. Les gaz d'échappement du générateur contiennent du monoxyde de carbone. C'est un gaz toxique invisible et inodore.

- NE JAMAIS utiliser à l'intérieur d'une maison ou d'un garage, MÊME SI les portes et les fenêtres sont ouvertes.
- Utiliser UNIQUEMENT à l'EXTÉRIEUR et loin des fenêtres, portes et ventilations.

⚠ PELIGRO

Si usa un generador en interiores, MORIRÁ EN POCOS MINUTOS. El escape del generador contiene monóxido de carbono. Es un veneno que no tiene olor ni se puede ver.

- NUNCA lo use dentro de una casa o garaje. AUN si las puertas y ventanas están abiertas.
- Sólo úselo en EXTERIORES y lejos de ventanas, puertas y ductos de ventilación.

CO DEFENSE	⚠ WARNING	⚠ AVERTISSEMENT	⚠ ADVERTENCIA
<ul style="list-style-type: none"> • GENERATOR AUTOMATIC SHUTDOWN SYSTEM (GAS) • SYSTEMS TO VERIFY FOR PROPER OPERATION OR MAINTENANCE OF CARBON MONOXIDE DETECTOR. • SYSTEMS TO VERIFY FOR MAINTENANCE OF CARBON MONOXIDE DETECTOR. 	<ul style="list-style-type: none"> • FLASHING RED INDICATOR - AUTOMATIC SHUTDOWN SYSTEM - STOP! (STOP) • Leave never immediately and move into an open outdoor area. Ventilate area thoroughly before re-occupying again. Ensure the generator is located in an open outdoor area. • MOVE TO FRESH AIR AND GET MEDICAL HELP IF SICK, DIZZY OR NEAR. • CHECK FUEL TANK AND CONNECTION - SYSTEM FAULT CONTACT DEALER. • TAMPERING WITH CO DEFENSE COULD RESULT IN A HAZARDOUS CONDITION. 	<ul style="list-style-type: none"> • SIGNAL ROUGE CLIGNOTANT - ÉCHAPPEMENT D'ÉCHAPPEMENT CO MAINTENANCE AUTOMATIQUE - ARRÊT IMMÉDIAT. • Quittez immédiatement la zone et allez respirer dans un lieu extérieur au plein air. Bien ventiler la zone avant d'occuper les lieux de nouveau. S'assurer que le générateur est placé dans un lieu extérieur au plein air. • ALLEZ À L'AIR LIBRE ET DEMANDEZ UN MÉDECIN SI VOUS VOUS SENTÉZ MAL, ÉTOURDI OU FAIBLE. • VÉRIFIER TANK ET CONNEXION - INDICATEUR ROUGE ET CONTACTER LE DÉALÉ. • L'ALTÉRATION DE CO DEFENSE PEUT ENTRÂNER DES CONDITIONS HAZARDEUSES. 	<ul style="list-style-type: none"> • EL INDICADOR ROJO PARPATEA - EVENTO DE ALARMA AUTOMÁTICA - DETENTE INMEDIATA. • Abandonar el área de inmediato y vaya a un lugar al aire libre. Ventilar bien el área antes de volver a ocuparla. Asegurarse de que el generador está ubicado en un lugar al aire libre. • TOMAR AIRE FRESCO Y BUSCAR AYUDA MÉDICA EN CASO DE SENTIRSE MAL, MAREADO O DIFÍCIL. • INDICADOR ROJO PARPATEA - FALLA DEL SISTEMA - CONTACTAR CON EL DISTRIBUIDOR. • MODIFICAR ALGUNOS COMPONENTES PODRÍA CAUSAR CONDICIONES PELIGROSAS.

Utiliser un générateur à l'intérieur peut vous tuer en quelques minutes. Les gaz d'échappement du générateur contiennent du monoxyde de carbone. C'est un gaz toxique invisible et inodore. N'utilisez jamais le générateur à l'intérieur d'une maison ou d'un garage, même si les portes et les fenêtres sont ouvertes. Utilisez-le uniquement à l'extérieur, et loin des fenêtres, portes et ventilations. Orientez toujours l'échappement du moteur à l'opposé des constructions occupées. Si une personne est prise de vertiges, de maux de tête, de nausée ou se sent fatiguée, transportez-la immédiatement à l'air frais et appelez un médecin. Aérez bien la zone avant d'y revenir.

Le système d'arrêt pour détection de monoxyde de carbone ne remplace pas le fonctionnement du générateur de sécurité. Ne réglez pas ou ne modifiez pas le système d'arrêt pour détection de monoxyde de carbone. Le non-respect des instructions peut entraîner le dysfonctionnement du système, ce qui peut engendrer des conditions dangereuses.



Électrocution

DANGER

Risque d'électrocution ou de choc électrique : N'utilisez pas ce générateur et ne travaillez pas dessus avant d'avoir lu et compris l'ensemble des instructions et des avertissements fournis dans le manuel d'utilisation. Le non-respect des instructions ou des avertissements peut provoquer de graves blessures pouvant entraîner la mort.

AVERTISSEMENT

Le fonctionnement de cet équipement peut créer des étincelles qui peuvent engendrer un incendie de la végétation sèche environnante. Un pare-étincelles peut être nécessaire. L'opérateur devrait communiquer avec les services locaux d'incendie pour connaître les lois et règlements liés à la protection contre les incendies.

AVERTISSEMENT

Les retours de tension dans le système de distribution de l'alimentation secteur peuvent entraîner des dommages matériels, des blessures graves ou la mort.

Avertissement de retour de tension. Ne connectez pas le générateur au système électrique d'un bâtiment à moins d'utiliser un sectionneur (commutateur de transfert) installé par un électricien agréé. Codes 119075 et 119080 du comité d'hygiène et de sécurité de la Californie.

Messages supplémentaires

	Ne l'utilisez pas dans des conditions humides.
	Ne remplissez pas l'appareil de carburant à proximité de flammes nues. Ne remplissez pas l'appareil de carburant lorsque le moteur est en marche. Ne fumez pas lors du réapprovisionnement en carburant.
	Maintenez une distance minimale de 1,5 mètre (5 pieds) avec les autres objets.
	Vérifiez que l'unité est correctement mise à la terre.

Batterie (Le cas échéant)

MISE EN GARDE

1. N'exposez pas une batterie à des températures supérieures à 60 °c (140 °f).
2. N'inversez pas les bornes positive (+) ou négative (-). ne provoquez pas de court-circuit de quelque manière que ce soit.
3. N'autorisez pas de tension de charge supérieure à 40 volts.
4. Si la batterie devient trop chaude au toucher, interrompez la charge. Laissez la batterie refroidir avant de la remettre en charge.
5. Veillez à ne pas ouvrir, démonter ou modifier la batterie de quelque façon que ce soit.
6. Ne branchez pas la batterie à d'autres batteries en aucune manière.
7. Ne soumettez pas la batterie à une décharge trop importante. Cela peut l'endommager ou réduire sa durée de vie.
8. Il existe un risque d'inflammation si la batterie est physiquement endommagée.
9. Le non-respect de ces instructions peut entraîner un risque d'explosion, d'incendie ou de surchauffe.

Exigences spéciales

L'appareil électrique (y compris les câbles et les connecteurs) doit être couvert et protégé contre l'humidité.

Les disjoncteurs doivent correspondre aux caractéristiques du générateur. Si les disjoncteurs nécessitent un remplacement, ils doivent être remplacés par des disjoncteurs du même type et disposant des mêmes caractéristiques de performances. Dans toute installation de groupe électrogène, le châssis du générateur doit être mis à la terre. Une borne de terre est fournie.

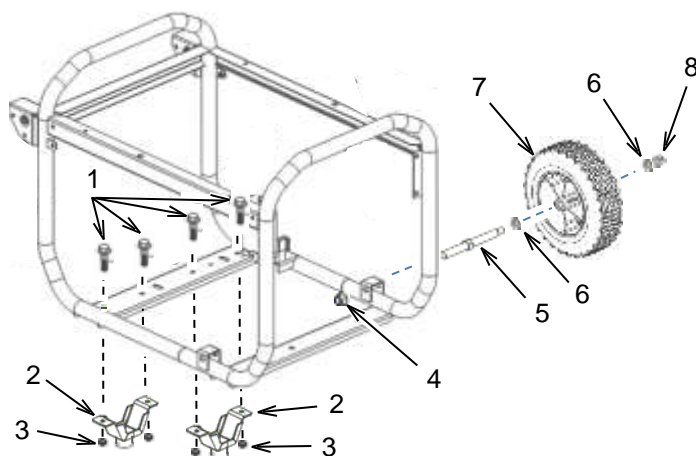
Les RP5500, RP6500, RP6500 E, RP7500 E et RP8000 E possèdent tous un conducteur neutre permanent entre l'enroulement du stator et le cadre. Le RP3600 a un neutre flottant.

Pour la prise double de 120 V c.a., utilisez des rallonges de tension nominale minimale de 125 V à 20 A, pour les prise de verrouillage 120 V c.a, utilisez des rallonges de tension nominale minimale de 125 V à 30 A. Pour une alimentation de 240 V c.a., utilisez des rallonges de tension nominale minimale de 250 V à 30 A. Utilisez la rallonge la plus courte correspondant à ces exigences.



- Portez un casque, des lunettes de protection et tout autre équipement de protection nécessaire.
- Si les travaux sont effectués à proximité d'un moteur en marche, portez des dispositifs de protection auditive afin d'empêcher tout dommage de l'ouïe.
- Ne portez pas de vêtements amples ou de bijoux qui peuvent s'accrocher sur les commandes ou sur d'autres pièces du moteur.
- Vérifiez que tous les dispositifs de protection et tous les couvercles sont bien fixés sur le moteur.
- Ne mettez jamais les liquides d'entretien dans des récipients en verre. Les récipients en verre peuvent se briser.
- Utilisez toutes les solutions de nettoyage avec soin.

ASSEMBLAGE



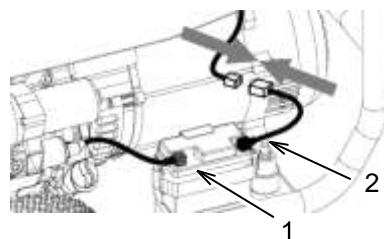
Assemblage des pieds

1. Posez le cadre de l'unité sur des blocs afin de fournir assez d'espace pour installer les pieds et les roues.
2. Alignez les trous de fixation du support de pied (2) avec les trous de fixation du cadre.
3. Insérez un boulon de 8 mm (1) dans chaque ensemble de trous de fixation.
4. Vissez et resserrez à la main un écrou de 8 mm (3) sur chaque boulon.
5. Répétez les étapes 2 à 4 pour l'autre pied.
6. Resserrez fermement les quatre écrous.

Ensemble de roue

1. Insérez l'extrémité courte de l'essieu (5) dans le support de fixation sur le cadre.
2. Vissez un écrou de 10 mm (4) sur l'essieu et resserrez-le fermement sur le cadre.
3. Placez une grande rondelle (6) sur l'extrémité longue de l'essieu et fixez la roue (7) avec les motifs de boulons vers l'extérieur.
4. Placez une grande rondelle (6) sur l'essieu.
5. Vissez un contre-écrou de 10 mm (8) sur l'essieu et resserrez-le fermement.
6. Répétez les étapes 1 à 5 pour l'autre roue.
7. Retirez les blocs.

Connexion de la batterie (le cas échéant)



Les modèles RP6500 E, RP7500 E et RP8000 E sont fournis avec la batterie montée dans le support de batterie. Pour connecter la batterie :

1. L'unité est expédiée avec le câble de batterie positif (1) déjà connecté.
2. Fixez le câble avec le capuchon noir (2) à l'autre câble à l'aide du connecteur

Huile

Suivez la procédure de vérification du niveau d'huile du moteur pour ajouter la quantité d'huile appropriée pour l'unité, tel que décrit dans le tableau Caractéristiques.

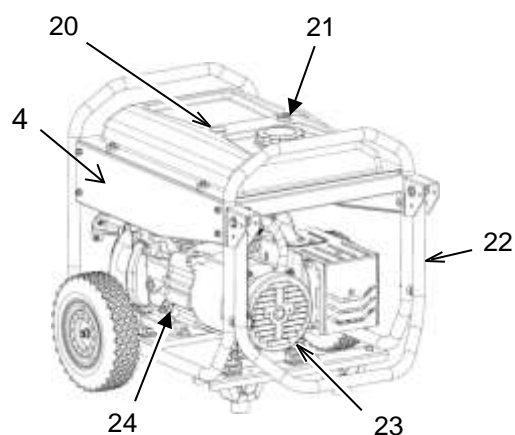
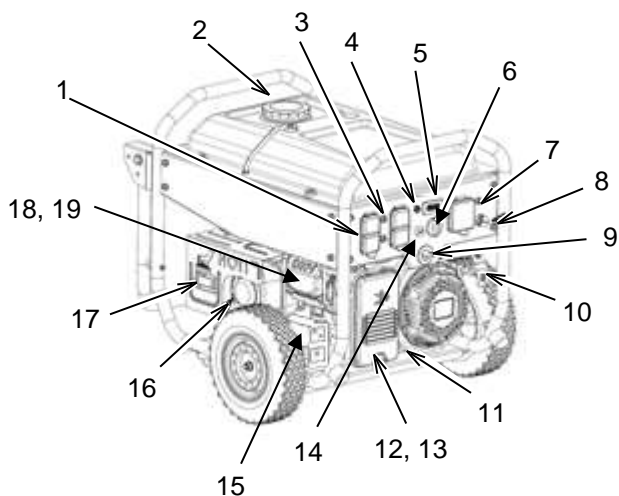
Supports de tablier

L'alternateur comporte 4 supports de tablier rouges placés sous la base pour éviter tout dommage dû à une manipulation brutale pendant le transport.

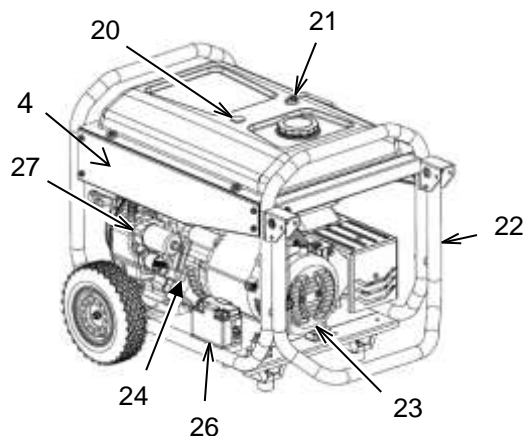
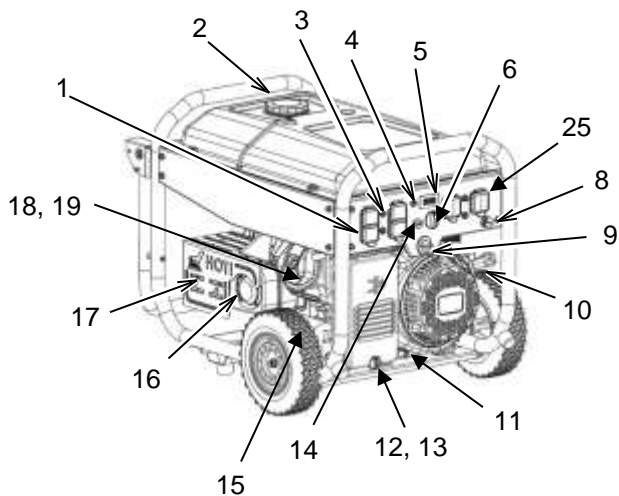
IMPORTANT-ces éléments doivent être retirés avant utilisation, sinon l'unité vibrera excessivement et risque de se détériorer.

IDENTIFICATION DES COMPOSANTS

RP3600, RP5500 et RP6500



RP6500 E, RP7500 E et RP8000 E

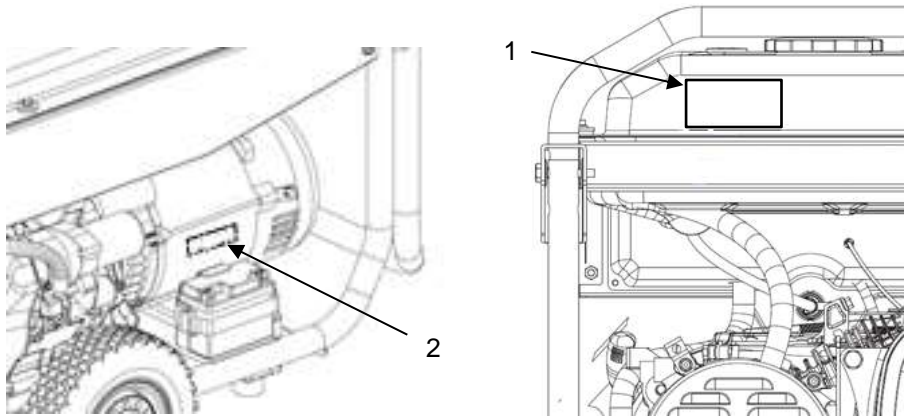


- 1) Prise : 120 V c.a. (double)
- 2) Bouchon du réservoir de carburant
- 3) Disjoncteur
- 4) Détecteur de monoxyde de carbone (le cas échéant)
- 5) Écran
- 6) Commutateur du générateur
- 7) Prise – 30 A 120 V c.a. RV*
- 8) Voyant du panneau
- 9) Robinet de carburant
- 10) Démarrage manuel
- 11) Orifice de vidange d'huile
- 12) Système de filtre à air
- 13) Filtre à air
- 14) Commande d'étrangleur

- 15) Absorbeur de vapeurs d'essence (si équipé)
- 16) Pare-étincelles
- 17) Silencieux
- 18) Moteur
- 19) Bougie d'allumage
- 20) Jauge de carburant
- 21) Tuyau de ventilation du réservoir à carburant
- 22) Poignée
- 23) Alternateur
- 24) Jauge d'huile / remplissage d'huile
- 25) Prises – 120/240 V c.a. (verrouillage) et 120 V c.a. (verrouillage)
- 26) Batterie
- 27) Démarreur

*RP3600
+RP5500

Type de moteur et numéro de série



CAT®			
MODEL NO.	RP3600	CAT PART (CAMB)	500-3600
AC VOLTS	120 / 240	FREQUENCY	60 Hz
AC AMPERE	30 / 15	PHASE	SINGLE
POWER RUNNING	3000 W	RPM	3000
POWER STARTING	4500 W	POWER FACTOR	1
WIND AT	25 C	INSULATION CLASS	H
www.Cat.com/HomeAndOutdoorPower-Support			

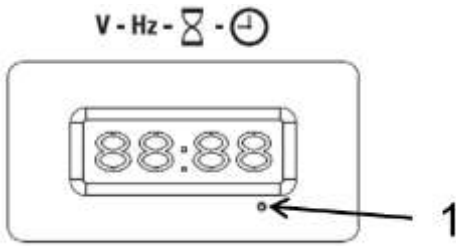
Gasoline generator set / Groupes électrogènes essence			
Model / Modèle:	RP3600	Rated power / Puissance nominale:	3 kW
AC voltage / Tension C.A.:	120V	Insulation Class/Classes d'isolation:	H
Current / Courant:	30A	Rated load speed/Tours par minute:	3000RPM
Frequency / Fréquence:	60Hz	Power factor / Facteur de puissance:	1
Phase/Phase:	Single/Seul		
Maximum ambient temperature / Température maximale: 40°C			
Date of manufacture / Date de fabrication: 2018- 1 2 3 4 5 6 7 8 9 10 11 12			
For electrical equipment only / Pour matériel électrique seulement			
For use in a weather protected area only / Employer uniquement dans un emplacement à l'abri des intempéries			
			



Les générateurs portables Cat® sont identifiés à l'aide d'un numéro de modèle, d'un numéro de série et d'un numéro de caractéristiques de performances. Le numéro de modèle et les caractéristiques de performances se trouvent sur la plaque signalétique (1) ou sur la plaque CSA (3). Le numéro de série se trouve sur la plaque du numéro de série (2).

COMMANDES

Écran



Ce groupe électrogène portable est équipé d'un écran qui peut afficher la tension, la fréquence, le nombre total d'heures cumulées de fonctionnement et les heures actuelles. Utilisez le commutateur à basculement (1) pour régler la mesure sur l'écran à la valeur souhaitée.

Durant le fonctionnement, l'écran affichera 3 messages de maintenance : P-25 s'affiche après les 25 premières heures de fonctionnement pour rappeler à l'utilisateur de changer l'huile à moteur. P-50 s'affiche toutes les 50 heures d'utilisation pour rappeler à l'utilisateur de vérifier le filtre à air et le pare-étincelles. P-100 s'affiche toutes les 100 heures d'utilisation pour rappeler à l'utilisateur de changer l'huile à moteur et contrôler la bougie d'allumage. Ces codes disparaissent après 6 minutes d'utilisation.

Commutateur du générateur



Commutateur du générateur (Démarrage à tirette) Commutateur du générateur (Démarrage électrique)

Pour effectuer un démarrage à rappel du groupe électrogène, tournez le commutateur du groupe électrogène en position « I » (activé) avant de démarrer le groupe électrogène. Pour les modèles équipés de démarreur électrique, mettez le commutateur du groupe électrogène en position « 0 » (démarrage). Pour éteindre le groupe électrogène, tournez le commutateur du groupe électrogène en position « 0 » (désactivé).

Étrangleur



L'étrangleur est utilisé pour fournir plus de carburant lors du démarrage d'un moteur froid. Si le moteur est froid, tirez sur la commande d'étrangleur avant de démarrer le moteur. Une fois que le moteur a démarré, poussez lentement sur la commande d'étrangleur.

CO DEFENSE™ et système d'arrêt (Le cas échéant)



CO DEFENSE	⚠ WARNING	⚠ AVERTISSEMENT	⚠ ADVERTENCIA
<p>CO DEFENSE MONITORING SYSTEM</p> <p>CO DEFENSE MONITORING SYSTEM</p> <p>CO DEFENSE MONITORING SYSTEM</p>	<p>WARNING: CO DEFENSE MONITORING SYSTEM</p> <p>WARNING: CO DEFENSE MONITORING SYSTEM</p> <p>WARNING: CO DEFENSE MONITORING SYSTEM</p>	<p>AVERTISSEMENT: CO DEFENSE MONITORING SYSTEM</p> <p>AVERTISSEMENT: CO DEFENSE MONITORING SYSTEM</p> <p>AVERTISSEMENT: CO DEFENSE MONITORING SYSTEM</p>	<p>ADVERTENCIA: CO DEFENSE MONITORING SYSTEM</p> <p>ADVERTENCIA: CO DEFENSE MONITORING SYSTEM</p> <p>ADVERTENCIA: CO DEFENSE MONITORING SYSTEM</p>

Le système de CO DEFENSE surveille l'accumulation de monoxyde de carbone durant le fonctionnement du générateur et arrêtera le moteur si les niveaux deviennent dangereusement élevés. Le CO DEFENSE sur ce générateur ne remplace par une alarme intérieure de détection de monoxyde de carbone.

Dès que le CO DEFENSE arrête le moteur, un voyant indiquant le motif s'allume sur le panneau de commande. Lisez l'étiquette CO Action (présentée ci-dessus) pour savoir quelles mesures prendre.

Si le voyant du CO DEFENSE clignote en « rouge », vous devez immédiatement quitter la zone et aller dans un espace extérieur ouvert. Aérez bien la zone avant d'y revenir. Vérifiez que le générateur se trouve dans un espace extérieur ouvert avec le tuyau d'échappement dirigé à l'opposé des structures occupées. Si une personne est prise de vertiges, de maux de tête, de nausée ou se sent fatiguée, transportez-la immédiatement à l'air frais et appelez un médecin.

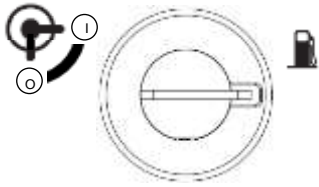
Si le voyant du détecteur reste orange, cela signifie qu'une défaillance du système s'est produite, ou il indique qu'il a atteint la fin de sa vie. Cette défaillance peut uniquement être diagnostiquée et réparée par un fournisseur de services agréé.

Le CO DEFENSE surveille l'accumulation de monoxyde de carbone de toutes les sources présentes dans la zone autour du générateur. Si le CO DEFENSE clignote en rouge, il ne s'agit pas d'une erreur et des mesures de sécurité doivent être immédiatement prises.

Remarque : Altérer le CO DEFENSE pourrait engendrer des conditions dangereuses et il faut absolument l'éviter.

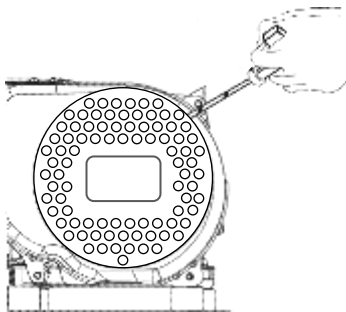
Remarque : Le générateur ne doit pas être utilisé à des températures ambiantes supérieures à 55 °C (131 °F), sous peine d'endommager le CO DEFENSE.

Commutateur de carburant



Le commutateur de carburant contrôle le débit du carburant du réservoir de carburant vers le carburateur. Tournez le commutateur de carburant en position « I » (activé) avant de démarrer le moteur. Tournez le commutateur de carburant en position « O » (désactivé) après avoir arrêté le moteur.

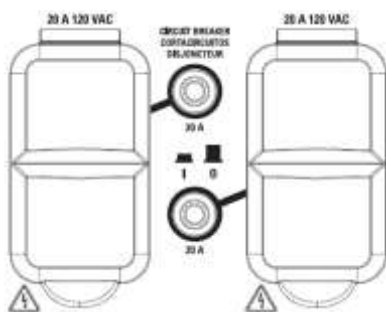
Démarrateur manuel



Pour démarrer le moteur, tirez lentement sur la poignée du démarreur jusqu'à ce que vous ressentiez une résistance. Tirez ensuite complètement sur la poignée du démarreur.

Ne laissez pas la poignée du démarreur se rabattre contre le moteur. Remettez-la délicatement pour éviter d'endommager le démarreur.

Disjoncteur C.A.



Le générateur est équipé de disjoncteurs qui protègent l'unité et l'appareil des courts-circuits et des surcharges. Si le disjoncteur disjoncte, déterminez la cause de la disjonction avant de refermer le circuit.

Disjoncteur CSA (le cas échéant)

Activé



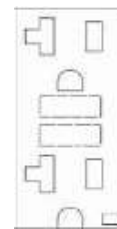
Désactivé

Les générateurs portables de 240 V vendus au Canada sont équipés d'un disjoncteur supplémentaire qui isole toutes les prises sur le panneau. Ce disjoncteur doit se trouver en position « O » (activé) pour que l'unité fournisse de la puissance.

Dispositif d'arrêt en cas de faible niveau d'huile

Le générateur est équipé d'un dispositif d'arrêt en cas de faible niveau d'huile conçu pour protéger le moteur des dommages causés par une quantité insuffisante d'huile dans le carter moteur. Lorsque le niveau d'huile dans le carter moteur passe en dessous du seuil de fonctionnement sûr, le dispositif d'arrêt en cas de faible niveau d'huile arrête automatiquement le moteur.

120 V c.a., 20 A, double



La prise double 120 V c.a. est protégée contre la surcharge par un bouton 20 A pour réinitialiser le disjoncteur. Il fournit également une protection au moyen d'un disjoncteur différentiel de fuite à la terre (DDFT) par simple pression sur le bouton Tester et Réinitialiser (RP5500, RP6500, RP6500 E, RP7500 E, RP8000 E). Utilisez la prise pour alimenter une charge électrique monophasée 60 Hz NEMA 5-20, 120 V c.a., nécessitant 20 A de courant.

Utilisez uniquement des câbles mis à la terre à 3 fils d'excellente qualité, bien isolés, de 125 V à 20 A (ou supérieur). Gardez les rallonges aussi courtes que possible (moins de 4,5 m [15 pi]) pour éviter toute chute de tension et la surchauffe des câbles.

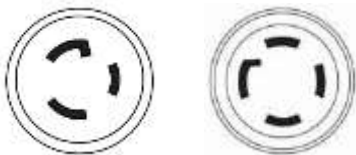
Prise RV



La prise 120 V c.a. RV est protégée contre la surcharge par un bouton 30 A pour réinitialiser le disjoncteur. Utilisez une fiche NEMA TT-30 (prises 120 V c.a.) avec cette prise.

Utilisez la prise pour alimenter une charge électrique monophasé 60 Hz, 120 V c.a.

120 V c.a., 120/240 V c.a., 30 A, verrouillage



Les prise de verrouillage 120 V c.a. et 120/240 V c.a. est protégée contre la surcharge par deux boutons pour réinitialiser les disjoncteurs.

	Disjoncteur Individuel	Disjoncteur Principal
RP5500		23 A
RP6500		28 A
RP6500 E		28 A
RP6500 E CSA		27 A *
RP7500 E	30 A	31 A
RP7500 E CSA		30 A *
RP8000 E	30 A	33 A

* Bipolaire

Utilisez une fiche NEMA L5-30 (prises 120 V c.a.) ou NEMA L14 30 (prises 120/240 V c.a.) avec cette prise (faire tourner pour verrouiller ou déverrouiller).

Utilisez la prise pour alimenter une charge électrique monophasé 60 Hz 120 V c.a. ou 240 V c.a..

FONCTIONNEMENT DU GÉNÉRATEUR

Conditions optimales de fonctionnement du générateur

- Température : -5 °C à 40 °C (23 °F à 104 °F)
- Humidité inférieure à 95 %
- Altitude au-dessus du niveau de la mer : < 3 000 pieds (900 m). Si la zone de fonctionnement se trouve à plus de 900 m d'altitude, la puissance de sortie est réduite.

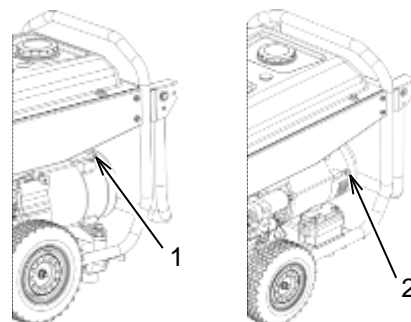
Les conditions normales de fonctionnement sont de 77 °F (25 °C) et 40 % d'humidité. La puissance du générateur peut être réduite en raison de différentes conditions ambiantes et d'autres facteurs tels que la qualité du carburant.

Raccordement à l'alimentation secteur domestique

Ce générateur doit être installé conformément à toutes les lois et tous les codes électriques locaux applicables. Le générateur doit être isolé du secteur et le raccordement doit être vérifié par un électricien qualifié.

Mise à la terre du générateur

Le code électrique national exige que les générateurs soient mis à la terre sur une prise de terre agréée. Une mise à la terre adéquate pour le générateur est indispensable pour des performances optimales du moteur et réduit le risque d'électrocution. Utilisez la borne de terre pour mettre le générateur à la terre de façon adéquate. Avant d'utiliser la borne de terre, consultez un électricien qualifié, un inspecteur en électricité ou une autorité locale compétente au sujet des codes ou des décrets locaux applicables à l'utilisation prévue du générateur.



1. Prise à la terre RP3600
2. Prise à la terre RP5500, RP6500, RP6500 E, RP7500 E, RP8000 E

Utilisation en C.A.

Ne surchargez PAS le générateur. En dépassant la puissance nominale du générateur, vous pouvez endommager le générateur ainsi que les appareils électriques qui lui sont branchés.

Les dispositifs à entraînement motorisé nécessitent une puissance de démarrage élevée. Assurez-vous que les besoins en énergie de ce type d'appareils ne dépassent pas la puissance nominale du générateur.

Lorsque le générateur est utilisé pour alimenter plusieurs appareils électriques, commencez par brancher l'appareil nécessitant la puissance de démarrage la plus haute et continuez ainsi en ordre décroissant.

Trousses de haute altitude

À haute altitude, le mélange air/carburant standard est trop riche et peut provoquer une baisse des performances ainsi qu'une augmentation de la consommation de carburant. Un mélange trop riche peut également salir la bougie d'allumage et rendre le démarrage difficile. L'utilisation prolongée à de hautes altitudes peut provoquer une hausse des émissions. L'installation d'une trousse de haute altitude lorsque nécessaire permet d'assurer un bon fonctionnement. Les trousse de haute altitude doivent être installées par un technicien qualifié. Communiquez avec un fournisseur de services agréé si le groupe électrogène doit être utilisé à des altitudes supérieures à 0,9 km (3 000 pieds) au-dessus du niveau de la mer.

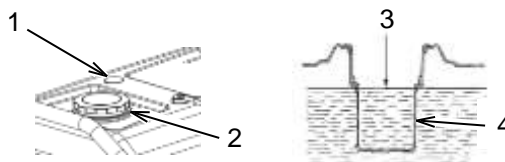
Remarque : À des altitudes supérieures à 2 400 m (8 000 pieds) au-dessus du niveau de la mer, le moteur peut subir une baisse de performances même si une trousse de haute altitude est installée.

AVANT DE DÉMARRER LE MOTEUR

Huile à moteur

Vérifiez le niveau d'huile avant chaque utilisation. Consultez la procédure décrite dans la section « Huile moteur – Vérification » du présent manuel.

Carburant



1. Vérifiez la jauge de niveau de carburant (1).
2. Si le niveau de carburant est faible, retirez le bouchon du réservoir de carburant (2).
3. Vérifiez le filtre. Si le filtre est sale, nettoyez-le. Consultez les instructions décrites dans la section « Bouchon et filtre du réservoir de carburant – Nettoyage ».
4. Ajoutez du carburant. L'utilisation d'un stabilisateur de carburant est fortement recommandée puisque l'unité risque de ne pas être utilisée pendant de longues périodes de temps.
5. Après avoir rajouté du carburant, remettez le bouchon du réservoir de carburant.

Pour éviter des dommages corporels, soyez toujours prudent lorsque vous ajoutez du carburant :

- Ajoutez le carburant dans un espace bien ventilé.
- Arrêtez le moteur avant d'ajouter du carburant.
- Laissez refroidir le moteur avant d'ajouter du carburant.
- Ne fumez pas lorsque vous alimentez le générateur en carburant.
- N'alimentez pas le générateur en carburant à proximité de flammes nues ou d'étincelles.
- Ne remplissez pas le réservoir de carburant au-delà de la ligne de remplissage (3).
- Évitez le contact répété ou prolongé avec la peau.
- Évitez l'inhalation prolongée de vapeurs de carburant.

Afin d'éviter d'endommager le générateur :

- Utilisez de l'essence sans plomb avec un indice d'octane supérieur à 86.
- Ne mélangez pas l'huile et l'essence.
- N'utilisez pas d'essence avec une teneur en éthanol supérieure à 10 %.
- N'utilisez pas d'essence usagée.
- Évitez la présence de saletés ou d'eau dans le réservoir à carburant.

Inspection visuelle

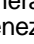
Effectuez l'inspection extérieure avant chaque utilisation, comme décrit ultérieurement dans le présent manuel.

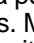
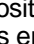
DÉMARRAGE DU MOTEUR

Démarrage manuel

1. Tenez le générateur isolé du secteur.
2. Débranchez tous les appareils électriques des prises.
3. Tournez le commutateur de carburant sur la position « I » (activé).
4. Placez les disjoncteurs CA sur la position désactivé position « 0 » (modèles CSA uniquement).
5. Si le moteur est froid, tirez sur la commande d'étrangleur.
6. Placez le commutateur du générateur à la position « I » (activé).
7. Tirez lentement sur la poignée du démarreur jusqu'à ce que vous ressentiez une résistance. Tirez ensuite complètement sur la poignée du démarreur. Si le moteur ne démarre pas, répétez l'étape 7 jusqu'au démarrage du moteur.
8. Lorsque le moteur est chaud, poussez sur la commande d'étrangleur.
9. Réenclenchez le disjoncteur CA sur la position « I » (activé).

Démarrage électrique (le cas échéant)

1. Tenez le générateur isolé du secteur.
2. Débranchez tous les appareils électriques des prises.
3. Placez le commutateur de carburant sur la position « I » (activé).
4. Placez les disjoncteurs CA sur la position « 0 » (désactivé) (modèles CSA uniquement).
5. Si le moteur est froid, tirez sur la commande d'étrangleur.
6. Placez le commutateur du générateur sur la position de démarrage «  » et maintenez-le sur cette position jusqu'à ce qu'il démarre.

REMARQUE : Ne maintenez pas le commutateur du générateur sur la position de démarrage «  » pendant plus de 5 secondes. Maintenir le commutateur du générateur en position de démarrage «  » pendant plus de 5 secondes endommagera le démarreur. Si le moteur ne démarre pas, attendez 10 secondes avant de réessayer.

7. Après le démarrage du moteur, relâchez immédiatement le commutateur du générateur pour qu'il puisse retourner automatiquement en position « I » (activé).
8. Lorsque le moteur est chaud, poussez sur la commande d'étrangleur.
9. Réenclenchez le disjoncteur CA sur la position « I » (activé).

ARRÊT DU MOTEUR

1. Déconnectez le générateur / débranchez tous les appareils électriques.
2. Placez le disjoncteur CA sur la position « 0 » (désactivé) (modèles CSA uniquement).
3. Tournez le commutateur du générateur en position « 0 » (désactivé).
4. Placez le commutateur de carburant sur la position « 0 » (désactivé).

Remarque : Pour arrêter le moteur en cas d'urgence, placez le commutateur du générateur sur la position « 0 » (désactivé).

MAINTENANCE

Assurez-vous que tous les renseignements concernant la sécurité, les avertissements et les instructions sont lus et compris avant d'effectuer toute procédure de maintenance.

Utilisez le nombre d'heures de fonctionnement ou la date du calendrier, SELON LA PREMIÈRE ÉCHÉANCE, afin de déterminer les intervalles d'entretien corrects.

Arrêtez le moteur avant d'effectuer l'entretien. Placez le moteur en position horizontale et retirez le capuchon de la bougie d'allumage afin d'empêcher le moteur de démarrer. Ne faites jamais tourner le moteur dans une pièce non ventilée ni dans un espace clos.

Lorsque nécessaire :

Bouchon et filtre du réservoir de carburant – Nettoyage

À chaque utilisation :

Niveau d'huile moteur – Vérification
Inspection visuelle

Après les 25 premières heures d'utilisation ou au bout d'un mois :

Huile moteur – Changement

Tous les mois :

Générateur – Inspection

Toutes les 50 heures d'utilisation ou tous les 3 mois :

Filtre à air – Vérification
Pare-étincelles – Inspection/Nettoyage/
Remplacement

Toutes les 100 heures d'utilisation ou tous les 6 mois :

Huile moteur – Changement
Bougie d'allumage – Inspection/Réglage/
Remplacement

Toutes les 300 heures d'utilisation ou tous les ans :

Brosse en carbone – Inspection/Réparation/
Remplacement
Culasse de cylindre – Nettoyage
Jeu des soupapes du moteur – Vérification

Tous les 2 ans :

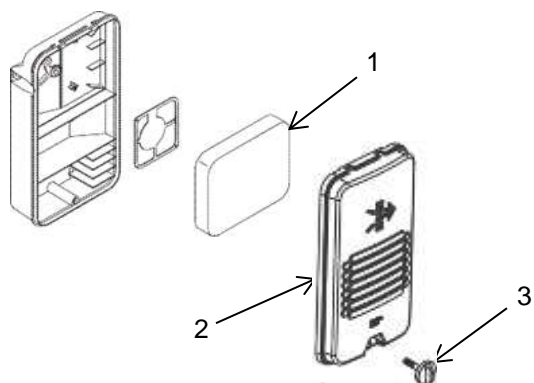
Conduit de carburant – Remplacement

REMARQUE : N'utilisez que des pièces Caterpillar d'origine.

Filtre à air – Vérification

Un filtre à air sale empêche l'air de bien circuler dans le carburateur, augmente la consommation de carburant et peut endommager le moteur. Entretenez régulièrement le filtre à air afin de garder le générateur en bon état de marche. Entretenez-le plus fréquemment en cas d'utilisation du générateur dans des zones extrêmement poussiéreuses.

Remarque : N'utilisez jamais le générateur si le filtre à air n'est pas en place. Utiliser le générateur sans filtre à air entraîne une usure rapide du moteur.



Retirez le boulon du couvercle du filtre à air (3), puis retirez le couvercle du filtre à air (2). Vérifiez que le filtre à air (1) est propre et non endommagé. Si le filtre à air est sale, lavez-le. Si le filtre à air est endommagé, remplacez-le.

Utilisez un solvant non inflammable ou un mélange de détergent domestique et d'eau chaude pour laver le filtre. Rincez le filtre à fond pour éliminer la totalité de la solution de nettoyage. Lorsque le filtre est sec, versez une petite quantité d'huile à moteur sur le filtre. Exercez ensuite une pression sur le filtre afin de répartir l'huile et d'en éliminer le surplus.

Remarque : N'essorez pas le filtre. Le fait d'essorer le filtre peut l'endommager.

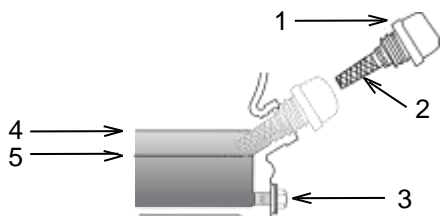
Installez le filtre dans le logement du filtre. Placez le couvercle du filtre à air sur le filtre et réinstallez le boulon du couvercle du filtre à air.

Culasse de cylindre – Nettoyage

Seul le personnel de service qualifié doit effectuer cette procédure de maintenance. Communiquez avec votre centre de service local pour programmer cette opération de maintenance.

Niveau d'huile moteur – Vérification

Pour vérifier le niveau d'huile moteur, mettez toujours le générateur sur une surface plane et arrêtez le moteur.



1. Retirez le bouchon de l'orifice de remplissage d'huile (1) et essuyez la jauge de niveau d'huile (2) afin de la nettoyer.

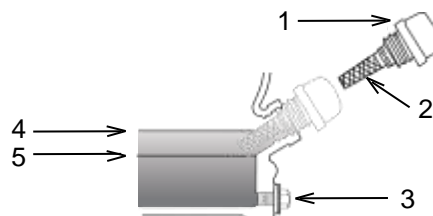
2. Vérifiez le niveau d'huile en insérant la jauge de niveau d'huile dans le col de remplissage. Ne vissez pas le bouchon de l'orifice de remplissage d'huile lors de la vérification du niveau d'huile.
3. Si le niveau de l'huile est bas (5), ajoutez l'huile moteur recommandée jusqu'à ce que ce niveau atteigne la marque supérieure (4) de la jauge de niveau d'huile. Utilisez le tableau ci-dessous afin de déterminer la viscosité de l'huile à utiliser.

Viscosités de lubrifiant recommandées pour Température ambiante				
Viscosité de l'huile	°C		°F	
	Min.	Max.	Min.	Max.
SAE 0W-40	-40	40	-40	104
SAE 5W-40	-30	50	-22	122
SAE 10W-30	-18	40	0	104
SAE 15W-40	-10	50	14	122

4. Après avoir ajouté de l'huile, remettez le bouchon de l'orifice de remplissage d'huile et serrez-le.

Remarque : Les huiles non détergentes ou pour moteur à 2 temps risquent d'endommager le moteur et ne doivent pas être utilisées.

Huile moteur – Changement



1. Faites tourner le moteur jusqu'à ce qu'il atteigne une température de fonctionnement normale. Arrêtez le moteur et utilisez un récipient adapté pour récupérer l'huile usée.
2. Retirez le bouchon de l'orifice de remplissage d'huile (1) et le bouchon de vidange (3) pour vidanger l'huile.
3. Repositionnez le bouchon de vidange, puis serrez-le à 18 ± 2 lb pi (24 ± 3 Nm).
4. Remplissez le réservoir d'huile et vérifiez le niveau. Consultez la section « Niveau d'huile moteur – Vérification ».
5. Remettez le bouchon de l'orifice de remplissage d'huile et serrez-le.
6. Mettez l'huile usée au rebut de façon adéquate.

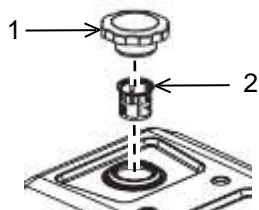
Jeu des soupapes du moteur – Inspection/Réglage

Seul le personnel de service qualifié doit effectuer cette procédure de maintenance. Communiquez avec votre centre de service local pour programmer cette opération de maintenance.

Conduit de carburant – Remplacement

Seul le personnel de service qualifié doit effectuer cette procédure de maintenance. Communiquez avec votre centre de service local pour programmer cette opération de maintenance.

Bouchon et filtre du réservoir de carburant – Nettoyage



Essayez le bouchon du réservoir de carburant (1) et la zone qui l'entoure avant de le retirer. Le fait d'essayer le bouchon du réservoir de carburant et la zone qui l'entoure avant de le retirer permet de réduire la quantité de contaminants pouvant se retrouver dans le système de carburant.

Si une accumulation de débris est présente dans le filtre à carburant (2), retirez le filtre et rincez-le. Laissez le filtre sécher avant de l'installer.

Générateur – Inspection

Une fois par mois, démarrez le moteur et laissez-le tourner jusqu'à ce qu'il atteigne une température de fonctionnement normale (environ 20 minutes). Branchez un appareil électrique câblé et allumez-le pour vérifier que le générateur fournit de l'électricité. Après avoir vérifié que le générateur fournit de l'électricité, éteignez l'appareil et débranchez-le. Éteignez ensuite le générateur.

Pare-étincelles – Inspection/Nettoyage/Remplacement

Cette unité dispose d'un pare-étincelles fixé à la sortie d'échappement du silencieux. Le pare-étincelles doit être nettoyé avec une brosse métallique douce toutes les 50 heures de fonctionnement ou tous les 3 mois. Le pare-étincelles doit être remplacé toutes les 100 heures de fonctionnement ou lorsqu'il est endommagé.

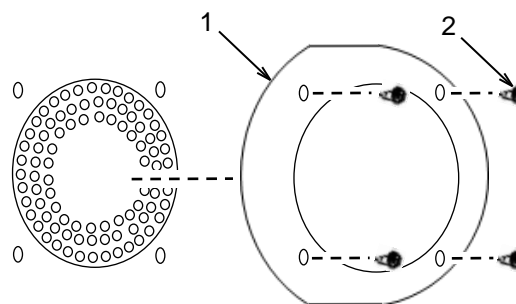


Surface chaude

AVERTISSEMENT

Les pièces chaudes ou les composants chauds peuvent provoquer des brûlures ou des blessures corporelles. Évitez tout contact entre les pièces ou composants chauds et votre peau. Utilisez des vêtements de protection ou un équipement de protection pour protéger votre peau.

N'effectuez PAS cette procédure d'entretien avant que le silencieux ait eu le temps de refroidir.

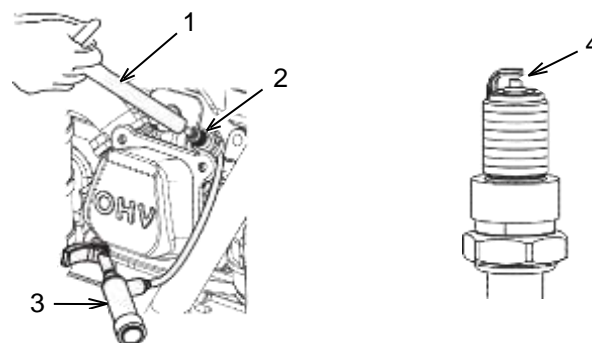


Retirez les vis (2). Retirez le pare-étincelles (1) et inspectez-le. Nettoyez-le soigneusement avec une brosse métallique douce. Si le pare-étincelles est endommagé, remplacez-le.

Pour installer le pare-étincelles, alignez les trous de fixation du pare-étincelles avec les trous de fixation du silencieux. Insérez les vis (2) et serrez-les fermement.

Bougie d'allumage – Inspection/Réglage/Remplacement

Consultez la section Caractéristiques du présent manuel afin de déterminer la référence de bougie d'allumage et l'écartement de bougie adaptés à votre produit.



1. Retirez le panneau latéral.
2. Retirez le capuchon de la bougie d'allumage (3).
3. Utilisez la clé à bougie (1) pour retirer la bougie

- d'allumage.
- Effectuez une vérification visuelle de la bougie afin de vérifier si elle est endommagée. Si l'isolant est craquelé, remplacez la bougie d'allumage. Si l'électrode est endommagée, remplacez la bougie d'allumage.
 - Mesurez l'écartement de la bougie (4) à l'aide d'une jauge d'épaisseur. Ajustez l'écartement en pliant délicatement le côté de l'électrode au besoin. Consultez les caractéristiques pour connaître le bon écartement pour votre produit.
 - Vérifiez que la rondelle de la bougie est en bon état de fonctionnement. Si la rondelle est endommagée, remplacez-la.
 - Installez la bougie d'allumage et resserrez-la à 22 ± 2 Nm (16 ± 2 lb pi). Ne serrez PAS trop, car cela peut endommager le moteur.

Batterie (Le cas échéant) – Inspecter/Remplacer

Si la tension de la batterie est inférieure à 12,8 volts, chargez la batterie. La tension de charge continue maximale recommandée est de 15 volts.

Si la batterie ne parvient pas à faire démarrer le moteur, même après le chargement, vérifiez que les bornes de la batterie sont sécurisées et ne présentent pas de marque de corrosion.

Si la batterie doit être remplacée :

- Débranchez **d'abord** le câble négatif (-).
- Débranchez **ensuite** le câble positif (+).

Pour installer la nouvelle batterie :

- Branchez **d'abord** le câble positif (+).
- Branchez **ensuite** le câble négatif (-).

REMARQUE : Utilisez uniquement de véritables pièces Caterpillar.

ATTENTION - RISQUE D'EXPLOSION SI LA PILE N'EST REMPLACÉE CORRECTEMENT. REMPLACER UNIQUEMENT PAR UNE PILE DE TYPE IDENTIQUE OU ÉQUIVALENT.

La batterie utilisée doit être recyclée conformément aux lois locales.

Inspection visuelle

Avant de démarrer le moteur, effectuez une inspection visuelle de l'unité. Éléments à vérifier :

- Niveau d'huile correct
- Niveau de carburant correct
- Carburant de bonne qualité
- Fuites de liquide
- Pinces mal serrées
- Boulons mal serrés
- Conduit de carburant craquelé
- Câbles mal serrés ou effilochés
- Accumulation de débris

Vérifiez également que :

- La borne de terre est branchée de façon adéquate.
- Les disjoncteurs sont en position « 0 » (désactivés).

ENTREPOSAGE

Lorsqu'un générateur est entreposé, de l'humidité due à une condensation de l'air peut apparaître sur les bobinages. Afin de réduire la condensation, entreposez toujours le générateur dans un espace sec. Couvrez le générateur avec une housse de protection s'étendant jusqu'au sol. La housse doit rester ample autour du générateur afin de permettre une bonne ventilation.

Le générateur ne doit pas être entreposé à des températures ambiantes supérieures à 55 °C (131 °F), sous peine d'endommager le détecteur de monoxyde de carbone (Le cas échéant).

Entreposage de 1 à 3 mois

Retirez la saleté, la rouille, la graisse et l'huile du générateur. N'utilisez PAS de laveuse à pression pour nettoyer le générateur. Inspectez l'extérieur. Effectuez toutes les réparations nécessaires.

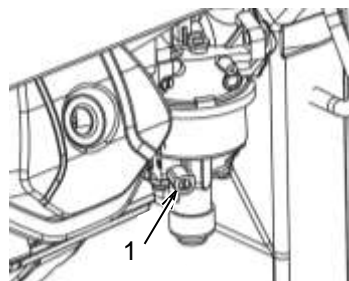
Ajoutez un stabilisateur de carburant dans le réservoir de carburant pour éviter la dégradation de l'essence. Démarrez le moteur et laissez-le tourner pendant 10 minutes pour que le stabilisateur de carburant soit aspiré par le carburateur. Éteignez le moteur et laissez-le refroidir.

Placez le robinet de carburant sur la position « O » (activé).

Déplacez le générateur vers le site d'entreposage. Couvrez le générateur.

Entreposage de plus de 3 mois

Retirez la saleté, la rouille, la graisse et l'huile du générateur. N'utilisez PAS de laveuse à pression pour nettoyer le générateur. Inspectez l'extérieur. Effectuez toutes les réparations nécessaires.



AVERTISSEMENT

L'essence est extrêmement inflammable et peut devenir explosive dans certaines conditions. Vérifiez que le moteur est arrêté et froid, puis vidangez le carburant dans une zone bien aérée. Ne fumez jamais et n'émettez aucune flamme nue ou étincelle à proximité pendant cette procédure.

Vérifiez que le robinet de carburant est en position « I » (activé). Retirez le bouchon de carburant et le bouchon de vidange (1) de la cuve du carburateur et vidangez le carburant dans un récipient adapté. NE gardez PAS le carburant en vue d'une utilisation ultérieure dans le générateur. Une fois le carburant entièrement vidangé du système, remettez le bouchon de vidange en place sur le carburateur. Placez le robinet de carburant sur la position « O » (activé). Appliquez une petite quantité d'huile sur les filetages du col de remplissage du réservoir de carburant, puis mettez le capuchon en place.

Changez l'huile moteur.

Retirez la bougie d'allumage et versez une petite quantité d'huile dans le cylindre. Installez la bougie d'allumage, mais pas le capuchon de la bougie d'allumage. Tirez 3 fois sur la poignée du démarreur pour répartir l'huile sur les parois du cylindre.

Retirez la batterie et entreposez-la. Vérifiez périodiquement la batterie et rechargez-la si nécessaire.

Déplacez le générateur vers le site d'entreposage. Couvrez le générateur.

DÉPANNAGE

Problème :	Cause possible :	Solution :	Vérification :
Le moteur ne démarre pas	Commutateur du générateur en position « 0 » (désactivé).	Tournez le commutateur du générateur dans la bonne position.	Démarrez le moteur.
	Commande d'étrangleur dans la mauvaise position	Mettez la commande d'étrangleur dans la bonne position	
	Pas de carburant	Remplissez le réservoir de carburant.	
	Carburant contaminé ou inadéquat	Vérifiez le carburant.	
	Manque d'huile dans le moteur	Vérifiez le niveau d'huile. S'il est faible, ajoutez l'huile recommandée.	
	Filtre à air sale	Nettoyez le filtre à air.	
	Pas de carburant au niveau du carburateur	Vérifiez que le commutateur de carburant est en position « I » (activée).	
	Moteur noyé	Patientez 5 minutes.	
	Pas d'étincelle d'allumage	Remplacez la bougie d'allumage.	
	Pour un démarrage électrique, démarrez le moteur en utilisant le démarreur manuel.	Si le générateur démarre, vérifiez la batterie. Si la batterie fournit moins de 12,4 volts, remplacez-la.	
	Si le moteur ne démarre toujours pas :	Emmenez l'unité chez un fournisseur de services agréé.	
Le moteur fonctionne de façon irrégulière (sans charge)	Filtre à air sale	Arrêtez le moteur et vérifiez le filtre à air. Nettoyez-le si nécessaire.	Démarrez le moteur / vérifiez s'il fonctionne de façon irrégulière.
	Commande d'étrangleur dans la mauvaise position	Mettez la commande d'étrangleur dans la bonne position	
	Si le moteur continue à fonctionner de façon irrégulière :	Emmenez l'unité chez un fournisseur de services agréé.	
Le moteur s'éteint	Plus de carburant	Vérifiez le carburant. Remplissez le réservoir de carburant si nécessaire.	Démarrez le moteur / vérifiez s'il s'arrête.
	Manque d'huile dans le moteur	Vérifiez le niveau d'huile. S'il est faible, ajoutez l'huile recommandée.	
	Filtre à air sale	Nettoyez le filtre à air.	
	Surcharge du générateur	Débranchez certains appareils.	
	Arrêt en raison d'une accumulation de monoxyde de carbone et témoin clignotant en rouge	Suivez toutes les instructions de sécurité sur l'étiquette CO Action	
	Arrêt en raison d'une défaillance du système de détection de monoxyde de carbone et témoin à l'orange fixe	Panne du système ou indication de fin de vie. Emmenez l'unité chez un fournisseur de services agréé.	
Si le moteur continue à s'arrêter :			
Le moteur fonctionne de façon irrégulière (avec charge)	Filtre à air sale	Arrêtez le moteur et vérifiez le filtre à air. Nettoyez-le si nécessaire.	Démarrez le moteur / vérifiez s'il fonctionne de façon irrégulière.
	Surcharge du générateur	Débranchez certains appareils.	
	Un appareil défectueux est branché	Débranchez l'appareil défectueux.	
	Si le moteur continue à fonctionner de façon irrégulière :	Emmenez l'unité chez un fournisseur de services agréé.	
Le moteur fonctionne, mais le générateur ne fournit aucune alimentation	Le disjoncteur s'est déclenché	Réenclenchez le disjoncteur.	Démarrez le moteur / vérifiez s'il fournit une alimentation.
	Mauvais branchement	Arrêtez le moteur et vérifiez les branchements.	
	Cordon d'alimentation défectueux	Remplacez le cordon.	
	Un appareil défectueux est branché	Débranchez l'appareil défectueux.	
	S'il n'y a toujours pas d'alimentation :	Emmenez l'unité chez un fournisseur de services agréé.	

CARACTÉRISTIQUES

	RP3600	RP5500	RP6500	RP6500 E	RP7500 E	RP8000 E
Type de moteur	Cylindre unique, 4 temps, refroidissement par air forcé, soupapes en tête					
Cylindrée (cc)	212	301	420	420	420	420
Système d'allumage	Magnéto à transistors					
Écartement de la bougie d'allumage	0,7 à 0,8 mm (0,028 à 0,032 po)					
Volume de carburant	16 l (4,2 gallons U.S.)	28.5 l (7.5 gallons U.S.)				
Consommation de carburant (g/(kWh))	≤ 395	≤ 374	≤ 374	≤ 374	≤ 374	≤ 374
Temps de fonctionnement continu avec charge continue 100 % (h)	7,5	10,5	8,8	8,8	6,5	6,2
Temps de fonctionnement continu avec charge continue 50 % (h)	13,5	15	12	12	11	10,5
Capacité en huile	0,55 l (0,52 quart)	1,05 l (1,1 quart)				
Tension de charge (V c.c.)	N/D			12-60		
Courant de charge (A)	N/D			0-100		
Fréquence nominale (Hz)	60					
Tension nominale (V)	120	120/240				
Puissance de sortie nominale (kW)	3,6	5,5	6,5	6,5	7,5	8,0
Puissance de sortie en pic de surtension (kW)	4,5	6,875	8,125	8,125	9,375	10,0
Phase	Monophasé					

DÉCLARATION DE GARANTIE DU CONTRÔLE DES ÉMISSIONS DE GAZ D'ÉCHAPPEMENT ET PAR ÉVAPORATION

Les droits et obligations de votre garantie

La California Air Resources Board (CARB), l'agence des États-Unis pour la protection de l'environnement (EPA) et Caterpillar Inc. ont le plaisir de vous expliquer la garantie du système de contrôle des émissions de gaz d'échappement et par évaporation du modèle de l'année 2020 de votre petit moteur/équipement hors route. Aux États-Unis et en Californie, les nouveaux équipements utilisant des petits moteurs hors route doivent être conçus, fabriqués et équipés conformément à des normes strictes concernant les émissions. Caterpillar doit garantir le système de contrôle des émissions de votre petit moteur/équipement hors route pour la période indiquée ci-dessous, à condition que celui-ci n'ait pas fait l'objet d'un usage abusif, de négligence ou d'un manque d'entretien entraînant la défaillance du système de contrôle des émissions.

Le système de contrôle des émissions peut inclure des pièces comme le carburateur ou le système d'injection de carburant, le système d'allumage, le pot catalytique, les réservoirs de carburant, les conduits de carburant (pour carburant liquide et vapeurs de carburant), les bouchons de réservoir, les soupapes, les cartouches, les filtres, les fixations et d'autres composants connexes. Les tuyaux, les courroies, les raccords et d'autres ensembles relatifs aux émissions peuvent également être inclus.

Si la garantie s'applique, Caterpillar réparera votre petit moteur/équipement hors route gratuitement, y compris pour le diagnostic, les pièces et la main-d'œuvre.

Garantie du constructeur

Le système de contrôle des émissions de gaz d'échappement et par évaporation sur votre petit moteur/équipement hors route est garanti pendant trois ans. Toute pièce relative aux émissions de votre petit moteur/équipement hors route jugée défectueuse sera réparée ou remplacée par Caterpillar.

Responsabilités du propriétaire relatives à la garantie

En tant que propriétaire du petit moteur/équipement hors route, vous êtes responsable de la réalisation de l'entretien requis indiqué dans votre manuel du propriétaire. Caterpillar vous recommande de conserver toutes les factures couvrant l'entretien de votre petit moteur/équipement hors route, mais ne pourra pas annuler la garantie au seul motif de

l'absence de facture ou pour la non-exécution de tout entretien programmé.

En tant que propriétaire du petit moteur/équipement hors route, vous devez toutefois être conscient que Caterpillar peut annuler la couverture de garantie si la défaillance de votre petit moteur/équipement hors route ou d'une pièce est due à un usage abusif, à de la négligence, à un manque d'entretien ou à des modifications non approuvées.

Vous êtes tenu de présenter votre petit moteur/équipement hors route à un centre de distribution ou point de vente Caterpillar dès qu'un problème se présente. Les réparations sous garantie doivent être effectuées dans un délai raisonnable ne dépassant pas 30 jours.

Pour toute question concernant vos droits et responsabilités liés à la garantie, n'hésitez pas à joindre Caterpillar au +1 844 797 6387 ou par courriel : homeandoutdoorpower@cat.com.

Exigences de garantie pour les défauts :

- (a) La période de garantie débute le jour où le moteur/l'équipement est livré à un dernier acheteur.
- (b) Champ d'application général de la garantie concernant les émissions. Caterpillar garantit au dernier acheteur et à chaque utilisateur ultérieur que le moteur ou l'équipement est : et
 - (1) Conçu, fabriqué et équipé conformément à toutes les réglementations applicables adoptées par le comité Air Resources Board;
 - (2) Exempt de défauts de matériaux et de fabrication qui pourraient entraîner la défaillance d'une pièce garantie pendant trois ans.
- (c) La garantie sur les pièces relatives aux émissions sera interprétée comme suit :
 - (1) Toute pièce garantie pour laquelle les instructions écrites ne prévoient pas le remplacement dans le calendrier des entretiens requis doit être garantie pendant la période de garantie prévue à la sous-section (b)(2). Si ladite pièce tombe en panne pendant la période de garantie, elle doit être réparée ou remplacée par Caterpillar conformément à la sous-section (4) ci-dessous. Toute pièce réparée ou remplacée en vertu de la garantie doit être garantie pour le reste de la période de garantie.
 - (2) Toute pièce garantie pour laquelle les instructions écrites prévoient seulement une inspection régulière doit être garantie pendant la période de garantie à la sous-section (b)(2). Une déclaration dans les instructions écrites du type « réparer ou remplacer au besoin » indique aux propriétaires la couverture de la garantie pour les pièces relatives aux émissions. Un remplacement effectué pendant la période de garantie est couvert par la garantie et ne réduit pas la période de la couverture de la garantie. Toute pièce réparée ou remplacée en vertu de la garantie doit être garantie pour le reste de la période de garantie.

- (3) Toute pièce garantie pour laquelle les instructions écrites prévoient le remplacement doit être garantie pour la période en vigueur avant le premier remplacement prévu. Si la pièce tombe en panne avant le premier remplacement prévu, elle doit être réparée ou remplacée par Caterpillar conformément à la sous-section (4) ci-dessous. Toute pièce réparée ou remplacée en vertu de la garantie doit être garantie pour le reste de la période de garantie avant le premier remplacement prévu.
- (4) La réparation ou le remplacement de toute pièce garantie en vertu de la garantie doivent être effectués par une station technique agréée, sans frais pour le propriétaire.
- (5) Nonobstant les dispositions de la sous-section (4) ci-dessus, les services ou les réparations sous garantie doivent être fournies dans les centres de distribution autorisés à réparer les moteurs ou les équipements en question.
- (6) Le propriétaire ne doit payer aucuns frais pour le diagnostic menant à la conclusion qu'une pièce couverte par la garantie est défectueuse, à condition que ce diagnostic soit réalisé dans une station technique agréée.
- (7) Caterpillar est responsable des dommages aux autres pièces du moteur/de l'équipement susceptibles d'avoir été causés par une pièce couverte par la garantie.
- (8) Tout au long de la période de garantie du système de contrôle des émissions prévue à la sous-section (b)(2), Caterpillar doit maintenir un approvisionnement suffisant de pièces garanties pour répondre à la demande prévue et doit se procurer des pièces supplémentaires en cas d'épuisement de cet approvisionnement.
- (9) Les pièces de rechange approuvées par les fabricants qui n'augmentent pas les émissions d'échappement ou d'évaporation du moteur ou du système de contrôle des émissions doivent être utilisées dans l'exécution de toute tâche de remplacement ou de réparation en vertu de la garantie et doivent être fournies sans frais au propriétaire. Cela ne limite pas les obligations de garantie de Caterpillar.
- (10) Les pièces complémentaires ou modifiées qui ne sont pas exemptées par le comité Air Resources Board ne peuvent pas être utilisées. L'utilisation de pièces complémentaires ou modifiées non exemptées peut justifier le refus d'une réclamation au titre de la garantie. Caterpillar n'est pas dans l'obligation de garantir les pièces dont la défaillance a été causée par l'utilisation d'une pièce complémentaire ou modifiée non exemptée.
- (11) Caterpillar doit fournir tous les documents qui décrivent les procédures ou les politiques relatives à cette garantie dans les cinq jours ouvrables qui suivent la demande du cadre de direction.
- (d) Liste des pièces garanties relatives aux émissions de gaz polluants :
- (1) Système de dosage du carburant
 - (i) Carburateur et composants internes (et/ou régulateur de pression ou système d'injection).
 - (ii) Système de réaction et de contrôle du rapport air/carburant
 - (iii) Système d'enrichissement pour démarrage à froid
 - (2) Système d'admission d'air
 - (i) Système d'admission contrôlée d'air chaud
 - (ii) Collecteur d'admission
 - (iii) Filtre à air
 - (3) Système d'allumage
 - (i) Bougies d'allumage
 - (ii) Système d'allumage électromagnétique ou électronique
 - (iii) Système d'avance/retard à l'allumage
 - (4) Système de recyclage des gaz d'échappement (RGE)
 - (i) Corps de soupape RGE et entretoise de carburateur, le cas échéant.
 - (ii) Système de réaction et de contrôle du taux de RGE
 - (5) Système d'injection d'air
 - (i) Pompe à air ou soupape à impulsion
 - (ii) Soupapes affectant le débit
 - (iii) Collecteur de distribution
 - (6) Catalyseur ou système de réacteur thermique
 - (i) Convertisseur catalytique
 - (ii) Réacteur thermique
 - (iii) Collecteur d'échappement
 - (7) Contrôles de particules
 - (i) Purgeurs, filtres, précipitateurs et tout autre dispositif utilisé pour capturer les émissions de particules
 - (8) Pièces diverses utilisées dans les systèmes énumérés ci-dessus
 - (i) Commandes électroniques
 - (ii) Soupapes et interrupteurs sensibles au vide, à la température et au temps
 - (iii) Tuyaux, courroies, raccords et assemblages.
- (e) Liste des pièces garanties relatives aux émissions par évaporation :
- (1) Réservoir de carburant
 - (2) Bouchon du réservoir de carburant
 - (3) Conduites de carburant (pour le carburant liquide et les vapeurs de carburant)
 - (4) Raccords de conduite de carburant
 - (5) Fixations*
 - (6) Soupapes de décompression*
 - (7) Soupapes de contrôle*
 - (8) Solénoïdes de commande*
 - (9) Commandes électroniques*
 - (10) Membranes de contrôle du vide*
 - (11) Câbles de contrôle*
 - (12) Liens de contrôle*
 - (13) Valves de purge*
 - (14) Joints*
 - (15) Séparateur liquide/vapeur
 - (16) Absorbeur de vapeurs d'essence
 - (17) Supports de montage de l'absorbeur
 - (18) Connecteur du port de purge du carburateur
- *Remarque : Concernant le système de contrôle des émissions par évaporation

GARANTIE

GARANTIE LIMITÉE CATERPILLAR POUR MODÈLES DE GÉNÉRATEURS PORTABLES : RP3600, RP5500, RP6500, RP6500 E, RP7500 E, RP8000 E, RP12000 E achats aux États-Unis et au Canada

Caterpillar (Newberry) LLC. (Caterpillar) garantit à l'acheteur original que tout produit de générateur portable de marque Cat acheté aux États-Unis ou au Canada est exempt de défaut matériel ou de fabrication pour la durée de la garantie définie dans les présentes et ce, à condition que produit soit exécuté, entretenu et utilisé selon les instructions et les manuels de Caterpillar. Caterpillar réparera ou remplacera, à son gré, toute pièce qui, après vérification par Caterpillar ou un représentant de service agréé de Caterpillar, s'avère être défectueuse pendant la période de la garantie définie dans les présentes. Tout produit que l'acheteur revendique être défectueux doit être renvoyé à Caterpillar aux fins d'une vérification par le représentant de service agréé Caterpillar le plus proche, sis aux États-Unis ou au Canada. Les frais de transport et les frais connexes ainsi que les risques de perte sont pris en charge par l'acheteur.

Période de garantie :

Tous les nouveaux produits de générateurs portables sont garantis pour une utilisation normale pour une période de deux (2) ans à compter de la date d'achat originale ou 1 000 heures de fonctionnement, selon la première éventualité. Si la preuve d'achat originale n'est pas présentée, la date d'expédition du fabricant sera utilisée pour déterminer le début de la période de garantie. Pour obtenir de l'aide concernant toute réclamation liée à la garantie, l'acheteur d'origine doit enregistrer le produit sur www.cat.com/homeandoutdoorpower-support immédiatement suivant l'achat du produit.

En enregistrant le produit sur www.cat.com/homeandoutdoorpower-support dans les trente (30) jours suivant la date d'achat, les acheteurs originaux ont également la possibilité de prolonger la période de garantie d'un (1) an supplémentaire pour un total de trois (3) ans, calculés à partir de la date d'achat originale du produit. La garantie est limitée à une durée d'utilisation de 1 000 heures au total pour la durée de la période de garantie.

Cette garantie ne s'applique pas dans les situations suivantes :

1. Endommagement ou détérioration de la pièce dû(e) à une usure normale.
2. Défauts imputables à une cause externe ou à des cas de force majeure comme les accidents, les collisions, le vol, le vandalisme, les émeutes, les guerres, les incendies, les gelées, les orages, les tremblements de terre, les tempêtes, la grêle, les éruptions volcaniques, les inondations, les tornades ou les ouragans.
3. Défauts imputables à des modifications, à des ajustements, à des réglages non autorisés ayant trait au carburant, à une négligence ou à un stockage, une réparation ou un entretien non adéquats.
4. Défauts imputables à une utilisation abusive ou à un usage du produit à des fins autres que celles conçues ou prévues par le fabricant, notamment en cas de mauvaise installation ou d'une installation dans un environnement pollué, rude, corrosif ou salin.
5. Défauts imputables à des raccordements, à des pièces accessoires et à des pièces non vendus, non fabriqués ou non autorisés par Caterpillar.
6. Défauts imputables à des carburants, des huiles ou d'autres sources d'énergie pollués ou non adaptés, ou à des niveaux de liquide inadéquats.
7. Défauts imputables à un retard de l'utilisateur dans la mise à disposition du produit après que lui a été signalée l'existence d'un risque lié au produit.
8. Dommages esthétiques, décolorations, rouille, corrosion ou rayures sur la peinture.
9. Remplacement des produits consommables, notamment des fusibles, des lampes, des filtres, etc.
10. Réparation de toute pièce par un tiers n'agissant pas en tant que représentant de service agréé de Caterpillar.
11. Frais supplémentaires en cas de réparation en dehors des heures d'ouverture normales, c.-à-d. à un tarif de main-d'œuvre en heures supplémentaires ou en période de vacances.
12. Frais de location d'équipement pendant les pannes ou l'exécution des réparations sous garantie.
13. Frais liés à l'examen des réclamations pour sous-performance ou au dépannage si aucun défaut de fabrication n'est trouvé.
14. Les batteries de démarrage ne sont PAS couvertes par la présente garantie, mais seront couvertes par la garantie des pièces du générateur portable.

Pour bénéficier du service de garantie ou pour toute question relative à cette garantie ou à son application, veuillez appeler le +1 844 797-6387 ou vous rendre sur le site www.cat.com/homeandoutdoorpower-support pour localiser votre représentant de service agréé Cat le plus proche.

CLAUSE COMPROMISSOIRE DE CONSOMMATION : ARBITRAGE EXÉCUTOIRE INDIVIDUEL OBLIGATOIRE PLUTÔT QUE TRIBUNAL; RENONCIATION AUX RECOURS COLLECTIFS

- a. Caterpillar et vous-même acceptez tous deux que dans la mesure où la loi en vigueur le permet, tous les conflits et revendications qui découlent des produits relatifs aux générateurs portables de la marque Cat ou aux services y afférents, ou qui y sont liés de quelque façon que ce soit, ainsi que de tout type de publicité pour l'un quelconque de ces produits ou services, y compris toute question concernant l'existence, la validité ou la résiliation de la présente Garantie limitée Caterpillar, ainsi que tout problème lié à l'interprétation des conditions générales de la présente Clause compromissoire de consommation, soient résolus par arbitrage exécutoire devant un arbitre unique, plutôt que devant un tribunal, sauf dans le cas où votre revendication peut être effectuée devant la Cour des petites créances. Cela comprend toute revendication survenue avant que vous acceptiez la présente Garantie limitée Caterpillar, que les versions précédentes de ladite Garantie limitée aient instauré ou non un arbitrage. Aux États-Unis, The Federal Arbitration Act (9 U.S.C § 1 *et suivants*), ainsi que les lois fédérales relatives à l'arbitrage s'appliquent à la Garantie limitée Caterpillar et aux conditions générales de la présente Clause compromissoire de consommation.
- b. C'est un arbitre neutre plutôt qu'un juge et un jury qui se charge de l'arbitrage. Un arbitre peut, individuellement, attribuer les mêmes dommages-intérêts et mesures de redressement qu'un tribunal (y compris des mesures injonctives, de redressement déclaratoire ou des dommages-intérêts d'origine législative) et doit, comme le ferait un tribunal, appliquer les modalités de la présente Garantie limitée (y compris les conditions générales de la présente Clause compromissoire de consommation). Les procédures d'arbitrage permettent des interrogatoires préalables plus limités, et la révision judiciaire d'une sentence d'arbitrage est également limitée.
- c. Si vous avez une revendication et cherchez à obtenir un arbitrage ou à faire une réclamation devant la Cour des petites créances, vous devez au préalable envoyer à Caterpillar, par courrier certifié, un avis de réclamation qui (a) décrit la nature et l'origine de la réclamation ou du conflit, (b) présente la réparation spécifique sollicitée et (c) contient une adresse physique et une adresse courriel auxquelles il est possible de vous joindre (« Avis »). Cet Avis doit être adressé à : General Counsel, Caterpillar Inc., 100 N.E. Adams St. Peoria Illinois 61629 (« Adresse de l'Avis ») et mentionner un « Avis de revendication dans le cadre de la Garantie limitée Caterpillar ». Si Caterpillar et vous ne parvenez pas à un accord pour régler le conflit dans les 60 jours suivant la réception de l'Avis, vous ou Caterpillar pouvez entamer une procédure d'arbitrage ou faire une revendication devant la Cour des petites créances.
- d. Vous pouvez télécharger ou copier un formulaire pour amorcer une procédure d'arbitrage à l'adresse www.adr.org. Si vous devez payer un droit de dépôt, après que Caterpillar a été informé à l'Adresse de l'Avis que vous avez entamé une procédure d'arbitrage, Caterpillar vous remboursera ce droit de dépôt, sauf si votre revendication concerne une somme supérieure à 25 000 \$ US, auquel cas les droits de dépôt seront à votre charge.
- e. L'arbitrage est régi par le Règlement d'arbitrage (Consumer Arbitration Rules) alors en vigueur de l'Association américaine d'arbitrage (AAA), sous réserve des modalités établies par la présente Garantie limitée (y compris les conditions générales de la présente Clause compromissoire de consommation), et sera effectué par l'AAA. Les règlements et formulaires de l'AAA

sont disponibles en ligne à l'adresse www.adr.org ou en appelant l'AAA au 1 800 778-7879. Dans l'éventualité d'un conflit entre les modalités du présent contrat et le Règlement d'arbitrage de l'AAA, les présentes modalités s'appliquent.

- f. Si votre revendication s'élève à moins de 25 000 \$ US, Caterpillar prendra en charge tous les frais administratifs et d'arbitrage, y compris la rémunération de l'arbitre, et vous remboursera tous les frais administratifs et d'arbitrage que vous engagez. Si votre revendication s'élève à plus de 25 000 \$ US, les parties prendront en charge à parts égales les frais d'administration et d'arbitrage, y compris la rémunération de l'arbitre, sauf pour les frais que Caterpillar est tenu de régler en totalité en vertu du Règlement d'arbitrage de l'AAA. Chaque partie prend à sa charge les frais relatifs à ses propres avocats, experts et témoins ainsi qu'à la préparation et la présentation des preuves dans toute audience d'arbitrage.
- g. Si votre revendication s'élève à 25 000 \$ US ou moins, vous et Caterpillar convenez que vous pourrez choisir si l'arbitrage a lieu uniquement à partir de documents ou par audience téléphonique. Vous pouvez aussi demander une audience en personne, que l'arbitre pourra accorder à son entière discrétion. Si l'arbitre accorde une audience en personne, ladite audience sera tenue soit dans un lieu choisi d'un commun accord, soit dans un lieu choisi par l'AAA ou l'arbitre. Dans le cadre de ladite audience en personne, les parties ou leurs témoins sont autorisés à participer à distance par vidéoconférence ou d'autres moyens similaires. Si votre revendication s'élève à plus de 25 000 \$ US, le droit à l'audience sera déterminé par l'arbitre.
- h. Vous et Caterpillar convenez que, dans la mesure où la loi en vigueur le permet, toute procédure de résolution de conflit, qu'elle ait lieu devant un tribunal ou un arbitre, est effectuée de façon individuelle uniquement et n'est pas un recours collectif, en représentation conjointe, une action conjointe ou une action de masse. Ni Caterpillar ni vous-même ne pouvez appuyer des revendications effectuées par une tierce partie ou à son encontre ou vous y joindre, ou arbitrer ou participer de quelque façon que ce soit à toute revendication en tant que représentant de groupe, membre d'un groupe ou procureur général. Dans l'éventualité où la présente disposition ne serait pas applicable, l'intégralité des conditions générales des présents alinéas relatifs à la Résolution et l'arbitrage des conflits (excepté l'alinéa (k)) est nulle et non avenue.
- i. Tous les arbitrages sont confidentiels. Ni vous, ni Caterpillar, ni l'AAA, ni l'arbitre ne pouvez divulguer l'existence, le contenu (y compris tout dépôt oral ou écrit), ou les résultats d'un arbitrage, sauf si la loi l'exige ou dans le but d'appliquer ou de contester la sentence d'arbitrage.
- j. Vous pouvez vous désengager de cette procédure de résolution des conflits en envoyant un avis écrit à Caterpillar à l'Adresse de l'Avis dans les 30 jours civils à compter de la date de votre achat de produits ou services Caterpillar (ou la date de première utilisation dans le cas de produits ou de services gratuits) couverts par la présente Garantie limitée. Vous désengager de cette procédure de résolution des conflits ne portera atteinte en aucune façon à la couverture ou aux conditions d'application de la Garantie limitée ou à votre capacité à acheter ou à utiliser des produits ou services relatifs aux génératrices portatives de la marque Cat.
- k. Si pour quelque raison que ce soit, une revendication a lieu devant un tribunal plutôt que devant un arbitre ou la Cour des petites créances, y compris si vous vous désengagez en vertu de l'alinéa (j), dans la mesure où la loi en vigueur le permet, nous renonçons chacun au droit à un procès par jury et convenons que ladite procédure doit avoir lieu individuellement et non par recours collectif, populaire ou de masse, ou en représentation conjointe. Dans de telles conditions, vous et Caterpillar convenez que dans la mesure où un conflit survient concernant une génératrice portative de la marque Cat vendue aux États-Unis, les tribunaux fédéraux et étatiques de l'État de l'Illinois ont compétence exclusive pour instruire et juger ladite revendication, et vous soumettez à la compétence personnelle de tout tribunal fédéral ou étatique de l'État de l'Illinois, et reconnaissez que toute circonscription judiciaire de l'État de l'Illinois a juridiction. Si l'une quelconque des présentes dispositions de Résolution et d'arbitrage des conflits ou le présent alinéa (k) s'avère inexécutable, le reste des présentes dispositions de Résolution et d'arbitrage des conflits ou le présent alinéa (k) demeure pleinement en vigueur.
- l. Si l'une quelconque des dispositions du présent contrat se révèle invalide ou inexécutable dans une affaire ou une juridiction spécifique, ladite disposition est dissociable dans cette affaire ou cette juridiction, le cas échéant, sans conséquence pour la validité et la force exécutoire des autres dispositions du contrat, et ne porte pas atteinte à la validité et à la force exécutoire du contrat dans toute autre affaire ou juridiction.

Loi en vigueur

- m. En achetant ou utilisant tout produit relatif aux génératrices portatives de la marque Cat ou aux services y afférant, vous acceptez que, dans la mesure où la loi en vigueur le permet, le Federal Arbitration Act, la loi fédérale en vigueur et la loi de l'État de l'Illinois, sans égard aux règles régissant les conflits de lois, régissent les modalités de la présente Garantie limitée ainsi que tout conflit de quelque nature que ce soit qui pourrait survenir entre vous et Caterpillar en lien avec lesdits produits ou services.
- n. Si un conflit découle d'une génératrice portative de la marque Cat vendue au Canada, les modalités de résolution et d'arbitrage des conflits précédentes s'appliquent dans la mesure où la loi en vigueur le permet. Si les modalités ci-dessus ne sont pas

juridiquement contraignante dans votre cas selon ce que la loi en vigueur prévoit dans votre juridiction et que le conflit entre dans la compétence de la Cour des petites créances de votre province, vous pouvez choisir de porter votre revendication devant ladite cour. Si le conflit outrepassait la compétence de la Cour des petites créances de votre province, vous acceptez de vous soumettre à la compétence des tribunaux de votre province pour la résolution en justice de toute revendication, de tout conflit, de toute action ou cause d'action, de tout problème ou de toute demande de mesure de redressement qui découle de la présente Garantie limitée ou y est lié, et lesdits tribunaux ont juridiction exclusive pour toute revendication, tout conflit, toute action ou cause d'action, tout problème ou toute demande de mesure de redressement.

Limitations

CETTE GARANTIE REMPLACE TOUTE AUTRE GARANTIE EXPLICITE OU IMPLICITE. CATERPILLAR N'ÉMET DE MANIÈRE PARTICULIÈRE AUCUNE AUTRE GARANTIE QUANT À LA VALEUR COMMERCIALE OU À L'UTILITÉ AUX FINS D'UN USAGE PARTICULIER DE SES PRODUITS. LA SEULE RESPONSABILITÉ DE CATERPILLAR CONSISTE À ASSURER LA RÉPARATION OU LE REMPLACEMENT DES PIÈCES CONFORMÉMENT À L'ÉNONCÉ CI-DESSUS. CATERPILLAR NE POURRA EN AUCUN CAS ÊTRE TENU RESPONSABLE DES DOMMAGES ACCESSOIRES ET CONSÉCUTIFS, MÊME SI CES DERNIERS SONT DIRECTEMENT LIÉS À UNE NÉGLIGENCE DE CATERPILLAR.

Cette garantie est soumise aux lois ou aux autres exigences de conformité juridique en vigueur aux États-Unis ou dans toute autre juridiction applicable et son application ne doit pas être en violation de ces dernières, auquel cas Caterpillar renonce à tout recours ou à toute responsabilité. Certains États interdisent l'exclusion ou la limitation des dommages accidentels ou consécutifs; ainsi, les limitations citées ci-dessus peuvent ne pas vous concerner. Cette garantie vous offre des droits juridiques spécifiques. Vous pouvez également disposer de droits fédéraux ou territoriaux en vigueur.

Aux États-Unis et au Canada : Caterpillar Newberry LLC, Electric Power Division, 40 Mawsons Way, 29108 6400 Caroline du Sud, Attention : Responsable du service à la clientèle, Téléphone : +1 844 797 6387. Hors États-Unis et Canada : Communiquez avec votre représentant de service agréé sur le site www.cat.com/alimentation-exterieure-et-domestique-support ou par courriel à l'adresse homeandoutdoorpower@cat.com.

© 2020 Caterpillar. Tous droits réservés. CAT, CATERPILLAR, LET'S DO THE WORK, leurs logos respectifs, le « jaune Caterpillar », les emballages « Power Edge » et « Modern Hex » Cat, ainsi que l'identité visuelle de l'entreprise et des produits qui figurent dans le présent document sont des marques de commerce de Caterpillar qui ne peuvent être exploitées sans autorisation. www.cat.com/alimentation-exterieure-et-domestique



© 2020 Caterpillar. Tous droits réservés. CAT, CATERPILLAR, LET'S DO THE WORK, leurs logos respectifs, le « jaune Caterpillar », les emballages « Power Edge » et « Modern Hex » Cat, ainsi que l'identité visuelle de l'entreprise et des produits qui figurent dans le présent document sont des marques de commerce de Caterpillar qui ne peuvent être exploitées sans autorisation.